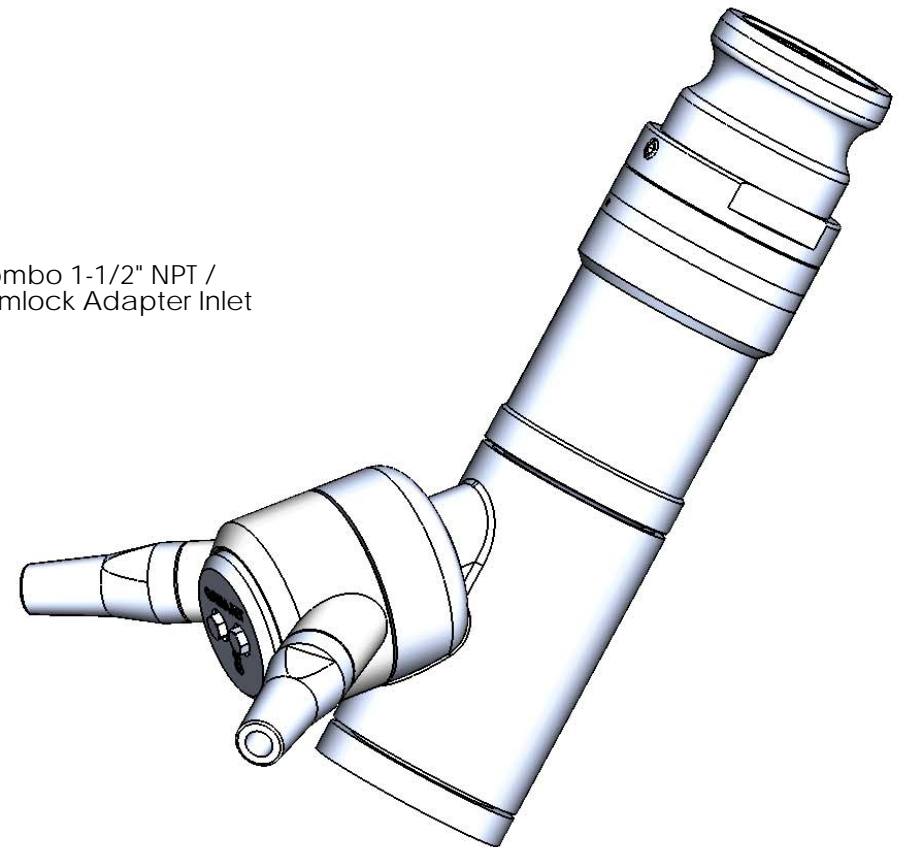
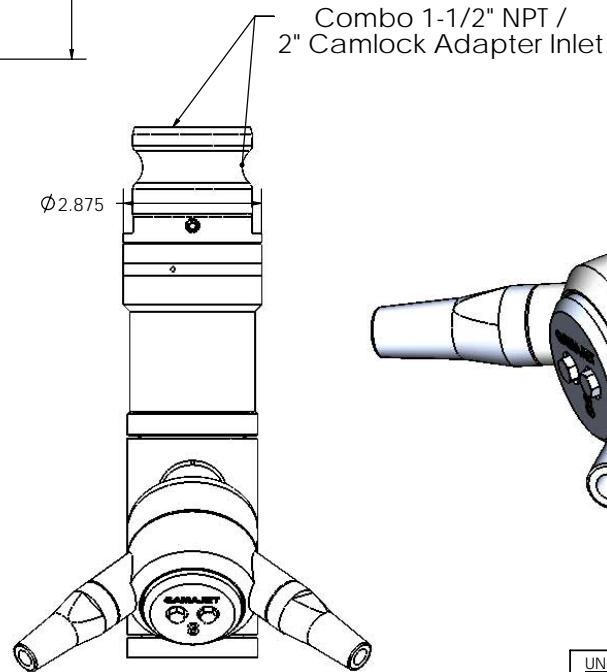
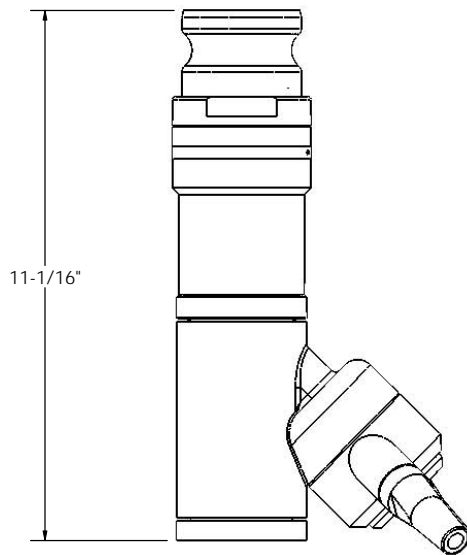


Insertion Clearance (inches)	
Free Hand	Ø8.25" min.
Fixed CL	Ø11.75" min.



UNLESS OTHERWISE SPECIFIED:
 * DIMENSIONS ARE IN INCHES
 * [] DIMENSIONS ARE mm
 * FILLET RAD.: 0.015±0.005
 * TOLERANCES:
 .XX ±0.01
 .XXX ±0.005
 ANGLE ±0.5°

Alfa Laval
 604 Jeffers Circle
 Exton, PA 19341-2524

TITLE		Cut Sheet
EQUIPMENT		
GJ 8 Directional		DWG. NO.
GJ 8 Directional 2N cut sheet		SHEET 1 OF 1

THIS DRAWING IS THE PROPERTY OF ALFA LAVAL REPRODUCTIONS AND USE OTHER THAN BORROWER'S AGREEMENT IS PROHIBITED. THIS DOCUMENT SHALL NOT BE LENT OR DISPOSED OF DIRECTLY OR INDIRECTLY NOR USED FOR ANY PURPOSE OTHER THAN THAT WHICH IS SPECIFICALLY FURNISHED.

DRAWN	DATE	REV.	DESCRIPTION
MQL	10/05/06	1	NEW DESIGN

MATERIAL:
316 STAINLESS STEEL
 FINISH (UNLESS OTHERWISE SPECIFIED):
 32 Ra
 SCALE: Full