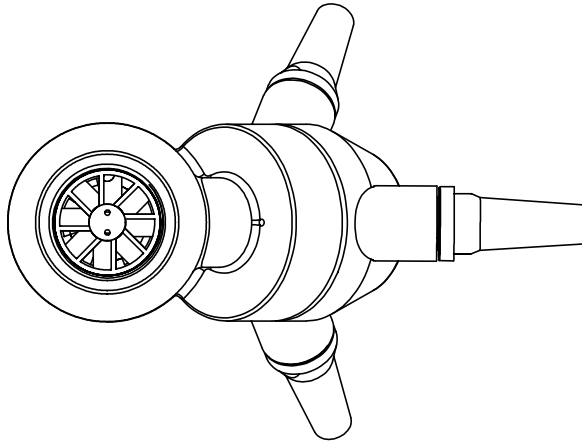
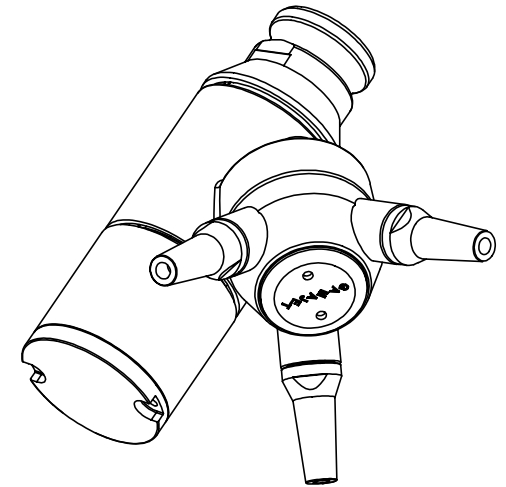


# GJ 4 Directional - Operating Parameters



| Insertion Clearance (Inches) |        |
|------------------------------|--------|
| Free Hand                    | 12-1/2 |
| Fixed Center Line            | 20-1/2 |



**Notes:**

- 316 SS, Plastics, and Elastomers
- Triple Nozzle
- Nozzle Sizes: range from 1/4" to 5/8"
- Inlet Connection: 2 in. NPT female and 2-1/2 in. quick Disconnect male
- Flow Range: 30 to 220 GPM
- Pressure Range : 40 to 500 PSI

