

Image overview



October 2016

Press release

DNV GL attests Alfa Laval's ability to meet the ETC tank cleaning notation



Image name

Alfa Laval Gunclean Toftejorg i40S.jpg

Caption

Alfa Laval Gunclean Toftejorg i40S



Image name

Alfa Laval Christian Mathiasen.jpg

Caption

“As the DNV GL statement confirms, customers with Alfa Laval Gunclean Toftejorg solutions can rest assured that their installations are configured to pass inspections” says Christian Mathiasen, Business Unit Manager, Tank Cleaning at Alfa Laval.

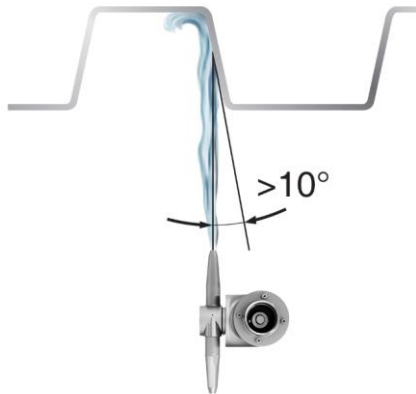


Image name
Jet hit angle.jpg

Caption
10 degree hit angle

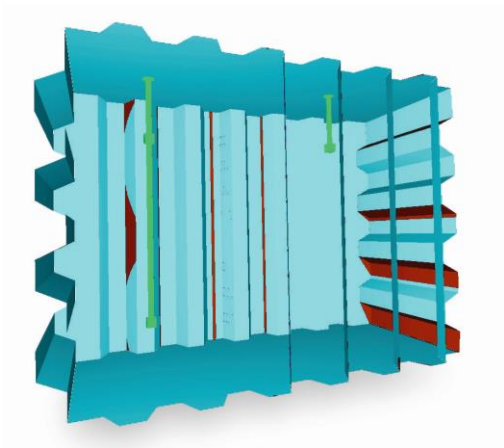


Image name
Tax Chem.jpg

Caption
Typical chemical tank

Contact:
Sofia Erichs
Trade Press Manager, Marine & Diesel Division
Tel: +46 706 69 53 57
Email: sofia.erichs@alfalaval.com