



Alfa Laval Brew 80 Plus

Disc stack separation system for brewery applications

Introduction

The use of separators in different brewery applications goes back to the beginning of the 1900's. Based on the long-term cooperation with the brewery industry, Alfa Laval separators are specially designed for the requirements and demands of this industry.

Application

The Brew 80 Plus is designed and optimized for green-beer, beer pre-clarification and polishing, with the target to clarify beer with the best performance and yield.

Benefits

- High separation efficiency
- Minimized oxygen pick-up
- Gentle treatment of the product
- Complete system handling both process and utility requirements
- Robust and reliable design

Design

The system consists of a separator, a valve module with valves and components for routing of product and utilities in and out from the separator, as well as control and starter cabinet. All components are mounted on a common skid to enable plug-and-play installation.

All metallic parts in contact with the process liquid are made of stainless steel. Gaskets and seals in contact with the product are made of FDA approved material and are approved according to food regulations (EC1935/2004).

The separation system is designed for completely automated Cleaning in Place (CIP).

Scope of supply

Skid-mounted disc stack separator with valve module and control system, including:

- Main process valves
- Automatic flow regulating valve
- Counter pressure valve
- Flow meter of magnetic type
- Capacity control: Automatic regulation of the flow, based on measurements of the feed solid content by inlet turbidity



- Turbidity monitor for discharge triggering
- Main motor starter with VFD from Danfoss
- Control panel with Siemens PLC and HMI
- Sight glasses for outlet
- Samples valves for in- and outlet

Options

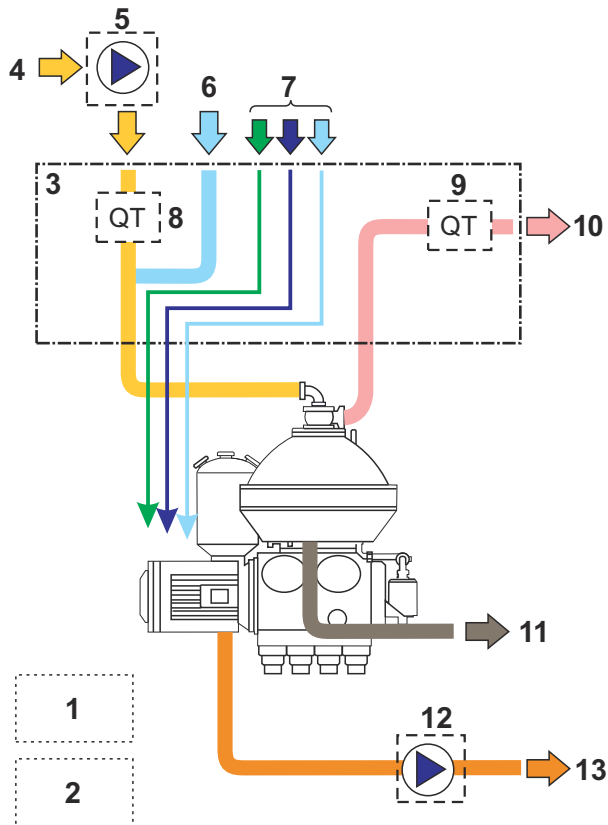
- Feed pump
- Solids receiving unit: Consists of a collection device and a pump to remove discharged solids
- Control panel with Allen Bradley PLC and HMI
- UL and CSA versions available on request

Working principle

The product enters and leaves the separator via the valve module. The flow rate and the counter pressure in the outlet of the separator are controlled by the process liquid module.

Discharge of solids from the separator bowl is triggered by a turbidity meter, placed in the outlet of the system. The discharged solids are pumped away by the optional solids receiving unit.

The valve module also controls the utility liquids for the separator's discharge system and for flushing and CIP.



General flow chart of a separator system. The details may differ slightly between different systems.

1. Control cabinet
2. Main motor starter and VFD
3. Process liquid module
4. Product inlet
5. Feed pump (optional)
6. Standby/Safety water
7. Utilities
8. Turbidity meter for capacity control (optional)
9. Turbidity meter for discharge triggering
10. Outlet for clarified product
11. Drain for separator
12. Solids receiving unit
13. Outlet of discharged solids

Technical data

Performance data

Capacity ¹	80 hl/h (29,3 US gpm)
Max. motor power	11 kW (14,8 HP)

¹ Actual capacities depend on operating conditions

Connections

Inlet	DN32:	DIN 11851 Union
Outlet	DN32:	DIN 11851 Union

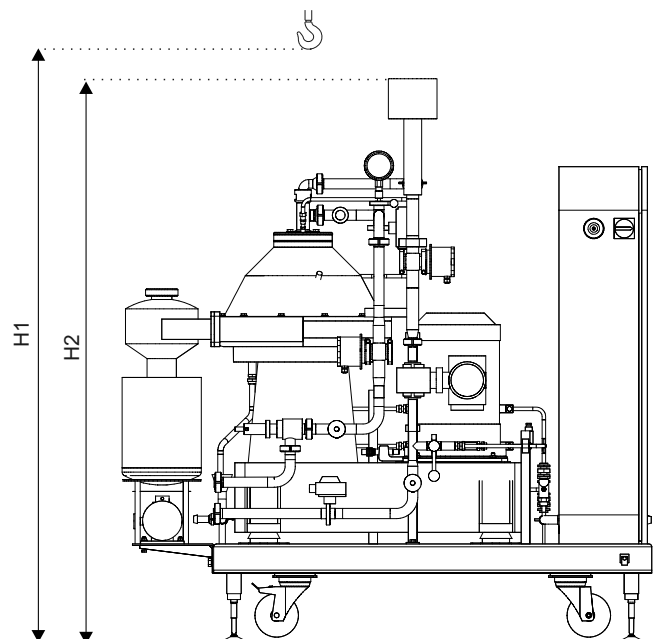
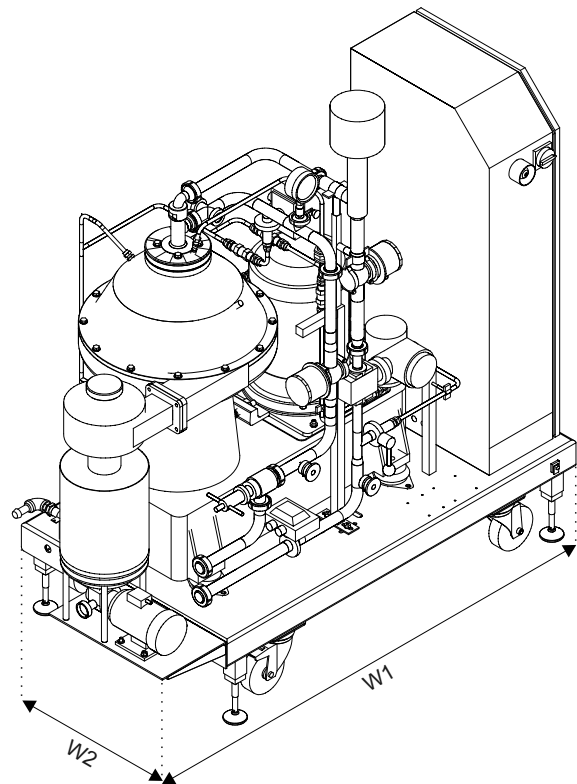
Material data

Piping	EN 1.4404
Customer connection	EN 1.4404
Gaskets in system	EPDM
Pipe frame	EN 1.4301
Cabinets	EN 1.4301

Weights (approximate)

System weight incl. separator, bowl and motor	900 kg (1985 lbs)
Bowl weight	135 kg (297 lbs)

Dimensional drawing



Dimensions

H1	Min. 1800 mm (5 ft 10 7/8 inch)
----	---------------------------------

H2	1945 mm (6 ft 4 9/16 inch)
----	----------------------------

W1	1825 mm (5 ft 11 7/8 inch)
----	----------------------------

W2	890 mm (2 ft 11 1/6 inch)
----	---------------------------

This document and its contents is owned by Alfa Laval Corporate AB and protected by laws governing intellectual property and thereto related rights. It is the responsibility of the user of this document to comply with all applicable intellectual property laws. Without limiting any rights related to this document, no part of this document may be copied, reproduced or transmitted in any form or by any means (electronic, mechanical, photocopying, recording, or otherwise), or for any purpose, without the expressed permission or authorized by Alfa Laval Corporate AB. Alfa Laval Corporate AB will enforce its rights related to this document to the fullest extent of the law, including the seeking of criminal prosecution.

200000261-1-EN-GB

© Alfa Laval Corporate AB

How to contact Alfa Laval

Up-to-date Alfa Laval contact details for all countries are always available on our website at www.alfalaval.com