



Alfa Laval CH 300

Modularized disc stack separation system for industrial use

Introduction

The use of separators in different chemical applications goes back to the beginning of the 1900's. Based on the long-term cooperation with various chemical industries, Alfa Laval separators are specially designed for the requirements and demands of this industry.

Application

CH 300 separator is designed and optimized for:

- Petrochemical
- Minerals
- Pulp and paper
- Green chemical applications
- Pharmaceuticals

Benefits

- High separation efficiency
- Small footprint – easy to install and start up
- Gentle treatment of the process liquid
- Low power consumption
- Complete system handling both process and utility requirements
- Flexible installation possibilities
- Robust and reliable design

Design

The system consists of a 10-size separator, a valve module with valves and components for routing of product and utilities in and out from the separator, as well as control and starter cabinet.

All metallic parts in contact with the process liquid are made of stainless steel. Gaskets and seals in contact with the product are made of PTFE/Graphite material.

The separation system is prepared for completely automated Cleaning in Place (CIP).

Available in following executions:

- Solid-liquid separation
- Liquid-liquid separation
- Liquid-liquid-solid separation

Available for installation in safe area, zone 2 and zone 1.



Scope of supply

- Disc stack separator with process and service liquid unit
- Main process valves of type ball valve
- Manual flow regulating valve
- Manual counter pressure valve
- Flow meter of volumetric type
- Main motor starter with VFD
- Control panel with PLC and HMI

Options

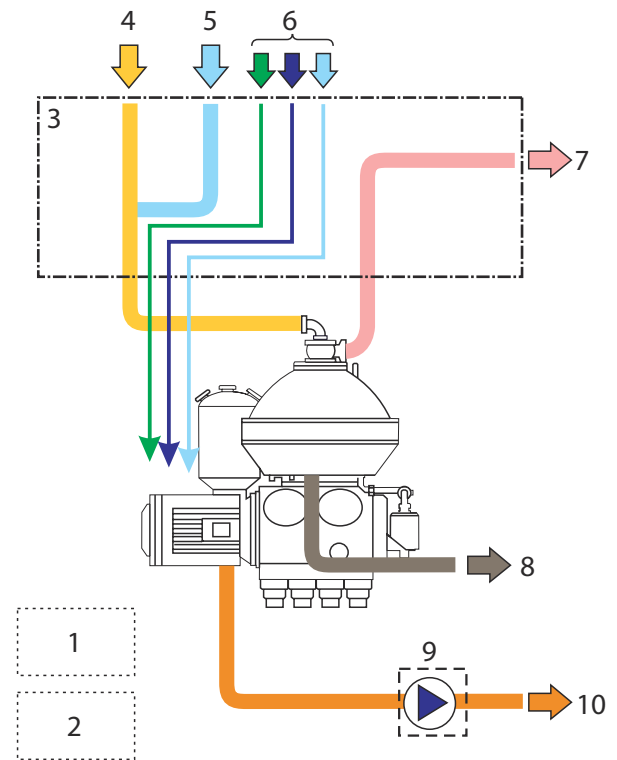
- Solids receiving unit: Consists of a collection device and a pump, to pump away discharged solids (only for safe area- and zone 2 installations)
- Factory Acceptance Test
- UL or CSA versions available on request

Working principle

The product enters and leaves the separator via the valve module. The flow rate and the counter pressure in the outlet of the separator are controlled by the process and service liquid module.

Discharge of solids from the separator bowl is triggered either by a timer or a manual control. The discharged solids are pumped away by the optional solids receiving unit.

The valve module also controls the utility liquids for the separator's discharge system and for flushing and CIP as well as an inert gas system for installation in zone 1.



1. Control cabinet
2. Main motor starter and VFD
3. Process and service liquid module
4. Product inlet
5. Standby/Safety water
6. Utilities
7. Outlet(s) of product(s)
8. Drain for separator
9. Solids receiving unit
10. Outlet of discharged solids

Technical data

Performance data

Hydraulic capacity ¹	30 000 l/h (29,3 US gpm)
Maximum motor power	25 kW (24,8 HP)

¹ Actual capacities depend on operating conditions

Connections

Inlet	DN25 / DN50 ASME B16.5/DIN EN 1092-1 Flange
Outlet	DN25 / DN50 ASME B16.5/DIN EN 1092-1 Flange

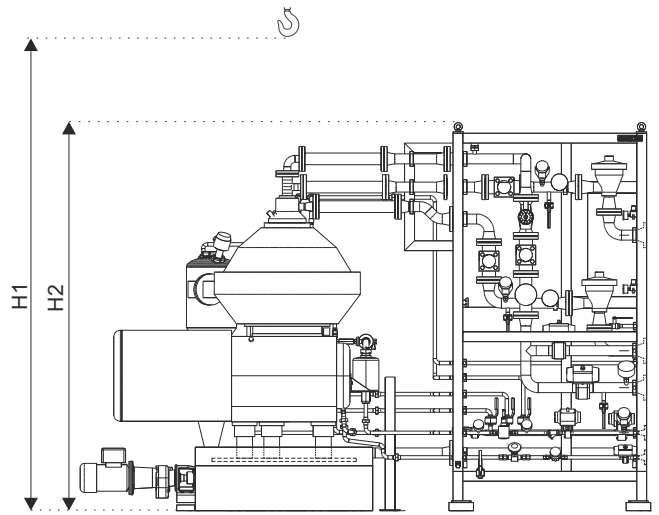
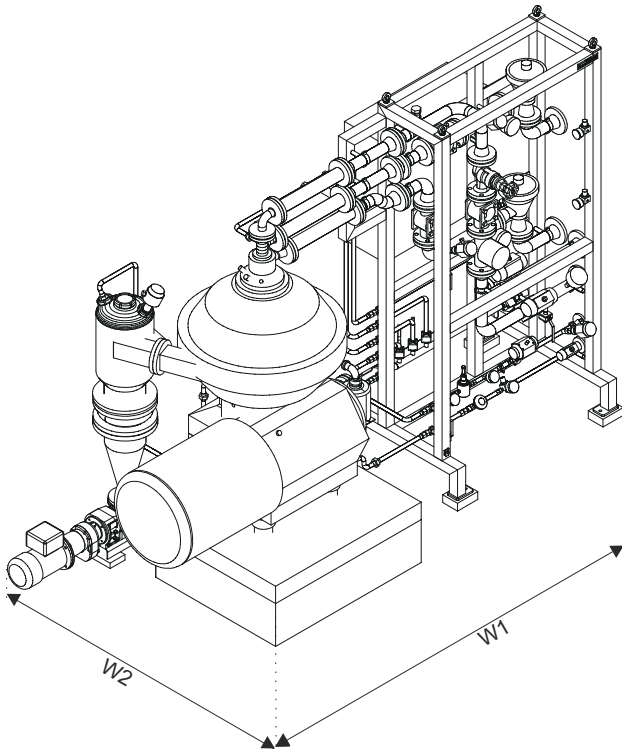
Material data

Piping	ISO 1127 AISI 316L
Customer connection	ANSI B16,5/DIN EN 1092-1 Flange
Gaskets in system	PTFE / Graphite product wetted parts
Pipe frame	AISI 304

Weights data (approximate)

System weight incl. bowl and motor	1900 kg (4190 lbs)
Bowl weight	300 kg (660 lbs)

Dimensional drawing



Dimensions

H1	Min. 2573 mm (8 ft 5 5/16 inch)
H2	1960 mm (6 ft 5 3/16 inch)
W1	2455 mm (8 ft 5/8 inch)
W2	1910 mm (6 ft 6 3/6 inch)

This document and its contents is owned by Alfa Laval Corporate AB and protected by laws governing intellectual property and thereto related rights. It is the responsibility of the user of this document to comply with all applicable intellectual property laws. Without limiting any rights related to this document, no part of this document may be copied, reproduced or transmitted in any form or by any means (electronic, mechanical, photocopying, recording, or otherwise), or for any purpose, without the expressed permission or authorized by Alfa Laval Corporate AB. Alfa Laval Corporate AB will enforce its rights related to this document to the fullest extent of the law, including the seeking of criminal prosecution.

20000497-2-EN-GB

© Alfa Laval Corporate AB

How to contact Alfa Laval

Up-to-date Alfa Laval contact details for all countries are always available on our website at www.alfalaval.com