

Alfa Laval AlfaVap 700

Gasketed plate heat exchanger for evaporating applications

Introduction

Alfa Laval AlfaVap is a tailor-made rising film plate evaporator that is based on Alfa Laval's semi-welded technology. The product evaporates in the gasketed channel while the steam heating medium condenses in the welded channel. AlfaVap can be used in evaporation systems and as a thermosiphon reboiler. A large range of plate and gasket types is available.

Applications

- Biotech and Pharmaceutical
- Chemicals
- Energy and Utilities
- Food and Beverages
- Water and Waste treatment

Benefits

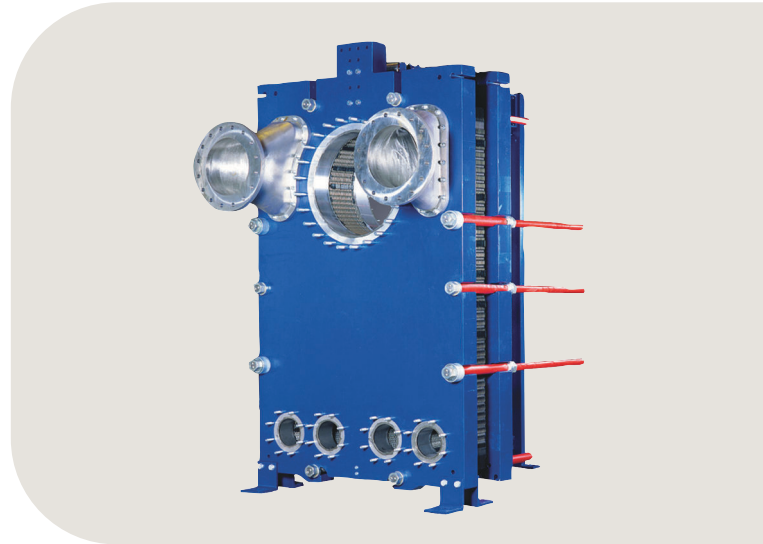
- Low hold-up volume – quick start-up and shut-down as well as fast process control
- High energy efficiency – low operating cost
- Easy to install – compact design
- High serviceability – easy to open for inspection and cleaning and easy to clean by CIP
- Access to Alfa Laval's global service network

Features

Every detail is carefully designed to ensure optimal performance, maximum uptime and easy maintenance. Selection of available features, depending on configuration some features may not be applicable:



- Five-point alignment
- Reinforced hanger
- Clip-on gasket
- Leak chamber
- Bearing boxes
- Fixed bolt head
- Key hole bolt opening
- Lifting lug
- Lining
- Lock washer
- Pressure plate roller
- Tightening bolt cover



Alfa Laval 360° Service Portfolio

Our extensive service offering ensure top performance from your Alfa Laval equipment throughout its life cycle. The Alfa Laval 360 Service Portfolio include installation services, cleaning and repair as well as spare parts, technical documentation and trouble shooting. We also offer replacement, retrofit, monitoring and much more.

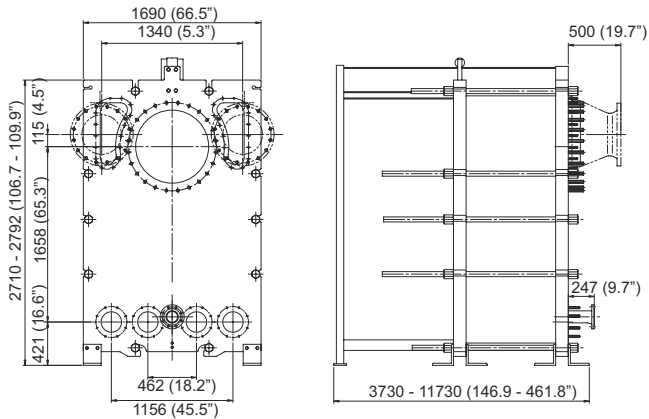
For information about our complete service offering and how to contact us - please visit www.alfalaval.com/service.

General remarks for technical information

- The global offering presented in this leaflet may not be available for all regions
- All combinations may not be configurable

Dimensional drawing

Measurements mm (inches)



Technical data

| Plates | Type | Free channel, mm (inches) |
|---------|-------------|---------------------------|
| EC700-W | Semi-welded | 6 / 6 (0.24 / 0.24) |

Materials

| | |
|--------------------------|--|
| Heat transfer plates | 316/316L Ti |
| Field gaskets | NBR, EPDM |
| Ring gaskets | NBR, EPDM, FKM |
| Flange connections | Metal lined: stainless steel, nickel, titanium |
| Frame and pressure plate | Carbon steel, epoxy painted |

Other materials may be available on request

Operational data

| Frame, PV-code | Max. design pressure (barg/psig) ¹ | Max. design temperature (°C/°F) |
|----------------|---|---------------------------------|
| FM, pvcALS | 6.0/87 (6.0/87) | 180/356 (180/356) |
| FM, ASME | 5.7/83 (5.7/83) | 180/356 (180/356) |
| FM, PED | 6.0/87 (6.0/87) | 180/356 (180/356) |

¹ Values for Product channel (Steam channel)

Extended pressure and temperature rating may be available on request.

Connections

| Ports | Connection standard |
|--------------------|--|
| Product inlet | 2 x EN1092-1 DN200 PN10 |
| | 2 x ASME B16.5 Class 150 NPS 8 2 x JIS B2220 10K 200A |
| Product outlet | EN1092-1 DN700 PN10 |
| | ASME B16.5 Class 150 NPS 28 JIS B2220 10K 700A |
| Steam inlet | EN1092-1 DN400 PN10 |
| | ASME B16.5 Class 150 NPS 16 JIS B2220 10K 700A |
| Condensate outlets | 2 x EN1092-1 DN200 PN10 |
| | 2 x ASME B16.5 Class 150 NPS 8 2 x JIS B2220 10K 200A |

This document and its contents are subject to copyrights and other intellectual property rights owned by Alfa Laval Corporate AB. No part of this document may be copied, re-produced or transmitted in any form or by any means, or for any purpose, without Alfa Laval Corporate AB's prior express written permission. Information and services provided in this document are made as a benefit and service to the user, and no representations or warranties are made about the accuracy or suitability of this information and these services for any purpose. All rights are reserved.

How to contact Alfa Laval

Up-to-date Alfa Laval contact details for all countries are always available on our website at www.alfalaval.com