

Alfa Laval AQ3

Gasketed plate heat exchanger for HVAC applications

Introduction

Alfa Laval AlfaQ™ is AHRI Certified® through the Liquid to Liquid Heat Exchangers (LLHE) Certification Program which ensures thermal performance in accordance with the product specifications.

Suitable for HVAC applications, this model is available with a large selection of plate and gasket types.

Applications

- HVAC

Benefits

- High energy efficiency – low operating cost
- Flexible configuration – heat transfer area can be modified
- Easy to install – compact design
- High serviceability – easy to open for inspection and cleaning and easy to clean by CIP
- Access to Alfa Laval's global service network

Features

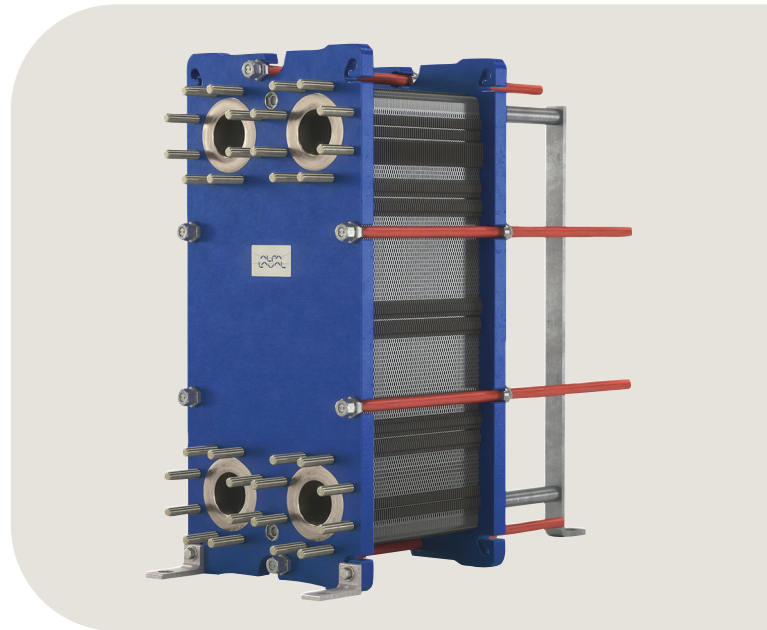
Every detail is carefully designed to ensure optimal performance, maximum uptime and easy maintenance. Selection of available features, depending on configuration some features may not be applicable:



- Corner guided alignment system
- CurveFlow™ distribution area
- ClipGrip™ gasket attachment
- Offset gasket groove
- Leak chamber
- Fixed bolt head
- Key hole bolt opening
- Lifting lug
- Lining
- Lock washer
- Tightening bolt cover

Alfa Laval 360° Service Portfolio

Our extensive service offering ensure top performance from your Alfa Laval equipment throughout its life cycle. The Alfa Laval 360 Service Portfolio include installation services, cleaning and repair as well as spare parts, technical



documentation and trouble shooting. We also offer replacement, retrofit, monitoring and much more.

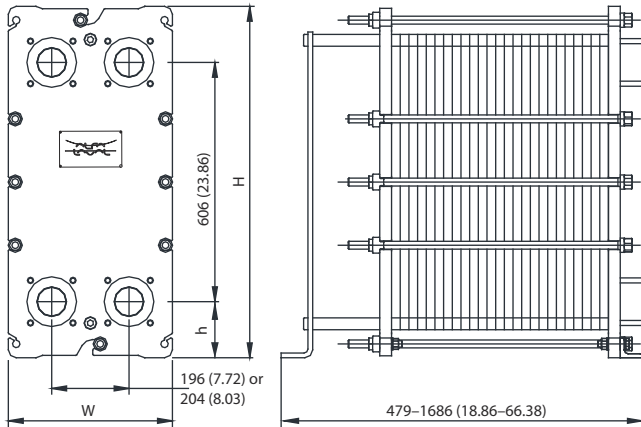
For information about our complete service offering and how to contact us - please visit www.alfalaval.com/service.

General remarks for technical information

- The global offering presented in this leaflet may not be available for all regions
- All combinations may not be configurable

Dimensional drawing

Measurements mm (inches)



Type	H	W	h
T8-FM	890 (35.04")	400 (15.78")	142 (5,59")
T8-FG	890 (35.04")	400 (15.78")	142 (5,59")
T8-FG, ASME	890 (35.04")	416 (16.38")	142 (5,59")

The number of tightening bolts may vary depending on pressure rating.

Technical data

Plates	Type	Free channel, mm (inches)
T8-B	Single plate	2.3 (0.091)
T8-M	Single plate	3.9 (0.15)

Materials

Heat transfer plates	304/304L, 316/316L Ti
Field gaskets	NBR, EPDM
Flange connections	Metal lined: stainless steel, titanium Rubber lined: NBR
Frame and pressure plate	Carbon steel, epoxy painted

Other materials may be available on request

Operational data

Frame, PV-code	Max. design pressure (barg/psig)	Max. design temperature (°C/°F)
FM, pvcALS	13.5/196	180/356
FM, PED	13.0/188	180/356
FG, pvcALS	15.5/225	180/356
FG, ASME	10.3/150	250/482
FG, PED	17.5/253	180/356

Extended pressure and temperature rating may be available on request.

Flange connections

Frame model	Connection standard
FM, pvcALS	EN 1092-1 DN80 PN10
	ASME B16.5 Class 150 NPS 3
	JIS B2220 10K 80A
FM, PED	EN 1092-1 DN80 PN10
	ASME B16.5 Class 150 NPS 3
FG, pvcALS	EN 1092-1 DN80 PN16
	ASME B16.5 Class 150 NPS 3
	JIS B2220 10K 80A
	JIS B2220 16K 80A
FG, ASME	ASME B16.5 Class150 NPS 3
FG, PED	EN 1092-1 DN80 PN16
	ASME B16.5 Class 150 NPS 3

Standard EN1092-1 corresponds to GOST 12815-80 and GB/T 9115.

Certificates



This document and its contents are subject to copyrights and other intellectual property rights owned by Alfa Laval Corporate AB. No part of this document may be copied, re-produced or transmitted in any form or by any means, or for any purpose, without Alfa Laval Corporate AB's prior express written permission. Information and services provided in this document are made as a benefit and service to the user, and no representations or warranties are made about the accuracy or suitability of this information and these services for any purpose. All rights are reserved.

How to contact Alfa Laval

Up-to-date Alfa Laval contact details for all countries are always available on our website at www.alfalaval.com