

Alfa Laval AQ2S

Gasketed plate heat exchanger for HVAC applications

Introduction

Alfa Laval AlfaQ™ is AHRI Certified® through the Liquid to Liquid Heat Exchangers (LLHE) Certification Program which ensures thermal performance in accordance with the product specifications.

The relatively short plate makes this model suitable for duties with short temperature programs and when a low pressure drop is appreciated. A large range of plate and gasket types is available.

Applications

- HVAC

Benefits

- High energy efficiency – low operating cost
- Flexible configuration – heat transfer area can be modified
- Easy to install – compact design
- High serviceability – easy to open for inspection and cleaning and easy to clean by CIP
- Access to Alfa Laval's global service network

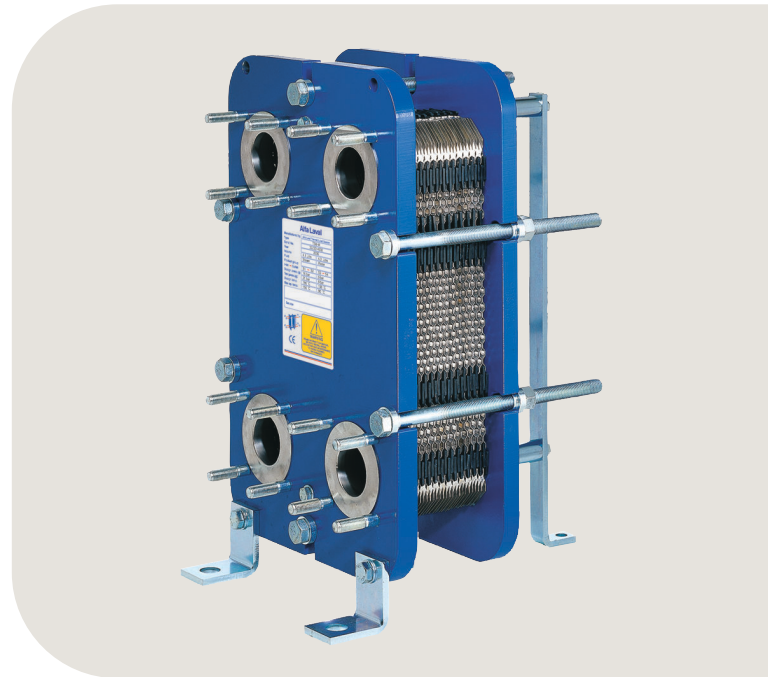
Features

Every detail is carefully designed to ensure optimal performance, maximum uptime and easy maintenance. Selection of available features, depending on configuration some features may not be applicable:

- Corner guided alignment system
- Chocolate pattern distribution area
- Clip-on gasket
- Leak chamber
- Fixed bolt head
- Key hole bolt opening
- Lifting lug
- Lining
- Lock washer
- Tightening bolt cover

Alfa Laval 360° Service Portfolio

Our extensive service offering ensure top performance from your Alfa Laval equipment throughout its life cycle. The Alfa Laval 360 Service Portfolio include installation services, cleaning and repair as well as spare parts, technical documentation and trouble shooting. We also offer replacement, retrofit, monitoring and much more.



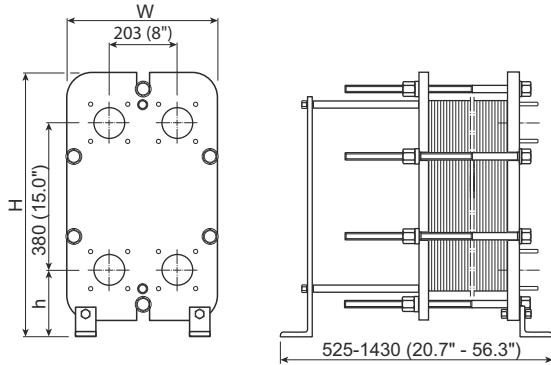
For information about our complete service offering and how to contact us - please visit www.alfalaval.com/service.

General remarks for technical information

- The global offering presented in this leaflet may not be available for all regions
- All combinations may not be configurable

Dimensional drawing

Measurements mm (inches)



| Type | H | W | h |
|--------|-------------|-------------|------------|
| TS6-FG | 704 (27.7") | 400 (15.7") | 188 (7.4") |
| TS6-FD | 704 (27.7") | 410 (16.1") | 188 (7.4") |

Technical data

| Plates | Type | Free channel, mm (inches) |
|--------|--------------|---------------------------|
| TS6-M | Single plate | 4.0 (0.16) |

Materials

| | |
|--------------------------|--|
| Heat transfer plates | 316/316L Ti |
| Field gaskets | NBR, EPDM, FKM, HeatSeal |
| Flange connections | Carbon steel Metal lined: stainless steel, titanium |
| Frame and pressure plate | Carbon steel, epoxy painted |

Other materials may be available on request

Operational data

| Frame, PV-code | Max. design pressure (barg/psig) | Max. design temperature (°C/°F) |
|----------------|----------------------------------|---------------------------------|
| FG, pvcALS | 16.0/232 | 180/356 |
| FG, ASME | 14.3/207 | 250/482 |
| FG, PED | 16.0/232 | 180/356 |
| FD, pvcALS | 24.5/355 | 200/392 |
| FD, ASME | 20.7/300 | 250/482 |
| FD, PED | 25.0/362 | 180/356 |

Extended pressure and temperature rating may be available on request.

Flange connections

| Frame model | Connection standard |
|-------------|----------------------------|
| FG, pvcALS | EN 1092-1 DN65 PN16 |
| | JIS B2220 10K 65A |
| | JIS B2220 16K 65A |
| FG, ASME | ASME B16.5 Class150 NPS 3 |
| FG, PED | EN 1092-1 DN65 PN16 |
| | ASME B16.5 Class 150 NPS 3 |
| FD, pvcALS | EN 1092-1 DN65 PN25 |
| | JIS B2220 10K 65A |
| | JIS B2220 20K 65A |
| FD, ASME | ASME B16.5 Class 300 NPS 3 |
| FDc, ASME | |
| FD, PED | EN 1092-1 DN65 PN25 |
| | ASME B16.5 Class 300 NPS 3 |

Standard EN1092-1 corresponds to GOST 12815-80 and GB/T 9115.

Certificates



This document and its contents are subject to copyrights and other intellectual property rights owned by Alfa Laval Corporate AB. No part of this document may be copied, re-produced or transmitted in any form or by any means, or for any purpose, without Alfa Laval Corporate AB's prior express written permission. Information and services provided in this document are made as a benefit and service to the user, and no representations or warranties are made about the accuracy or suitability of this information and these services for any purpose. All rights are reserved.

How to contact Alfa Laval

Up-to-date Alfa Laval contact details for all countries are always available on our website at www.alfalaval.com