

Alfa Laval AQ2L

Gasketed plate heat exchanger for HVAC applications

Introduction

Alfa Laval AlfaQ™ is AHRI Certified® through the Liquid to Liquid Heat Exchangers (LLHE) Certification Program which ensures thermal performance in accordance with the product specifications.

The relatively tall plate makes this model suitable for duties with long temperature programs and when high heat recovery is appreciated. A large range of plate and gasket types is available.

Applications

- HVAC

Benefits

- High energy efficiency – low operating cost
- Flexible configuration – heat transfer area can be modified
- Easy to install – compact design
- High serviceability – easy to open for inspection and cleaning and easy to clean by CIP
- Access to Alfa Laval's global service network

Features

Every detail is carefully designed to ensure optimal performance, maximum uptime and easy maintenance. Selection of available features, depending on configuration some features may not be applicable:



- Corner guided alignment system
- Chocolate pattern distribution area
- Clip-on gasket
- Offset gasket groove
- Leak chamber
- Compact frame
- Fixed bolt head
- Key hole bolt opening
- Lifting lug
- Lining
- Lock washer
- Tightening bolt cover

Alfa Laval 360° Service Portfolio

Our extensive service offering ensure top performance from your Alfa Laval equipment throughout its life cycle. The Alfa



Laval 360 Service Portfolio include installation services, cleaning and repair as well as spare parts, technical documentation and trouble shooting. We also offer replacement, retrofit, monitoring and much more.

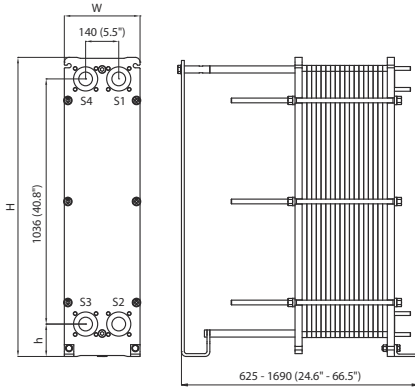
For information about our complete service offering and how to contact us - please visit www.alfalaval.com/service.

General remarks for technical information

- The global offering presented in this leaflet may not be available for all regions
- All combinations may not be configurable

Dimensional drawing

Measurements mm (inches)



Type	H	W	h
TL6-FM	1264 (49.8")	320 (12.6")	137 (5.4")
TL6-FG	1264 (49.8")	320 (12.6")	137 (5.4")
TL6-FG, ASME	1299 (51.1")	320 (12.6")	142 (5.6")
TL6-FD	1264 (49.8")	330 (13.0")	137 (5.4")
TL6-FD, ASME	1308 (51.5")	330 (13.0")	142 (5.6")

The number of tightening bolts may vary depending on pressure rating.

Technical data

Plates	Type	Free channel, mm (inches)
TL6-B	Single plate	1.8 (0.071)

Materials

Heat transfer plates	304, 316, Ni Ti
Field gaskets	NBR, EPDM, FKM, HeatSeal Carbon steel
Flange connections	Metal lined: stainless steel, titanium Rubber lined: NBR, EPDM
Pipe connections	Stainless steel
Frame and pressure plate	Carbon steel, epoxy painted

Other materials may be available on request

Operational data

Frame, PV-code	Max. design pressure (barg/psig)	Max. design temperature (°C/°F)
FM, pvcALS	10.0/145	180/356
FM, PED	10.0/145	180/356
FG, pvcALS	16.0/232	180/356
FG, ASME	10.3/150	250/482
FG, PED	16.0/232	180/356
FD, pvcALS	25.0/363	180/356
FD, ASME	20.7/300	250/482
FD, PED	25.0/362	180/356

Extended pressure and temperature rating may be available on request.

Flange connections

Frame	Connection standard
FM, pvcALS	EN 1092-1 DN50 PN16
	EN 1092-1 DN65 PN16
	ASME B16.5 Class 150 NPS 2
FM, PED	JIS B2220 10K 50A
	JIS B2220 10K 65A
	EN 1092-1 DN50 PN16
FG, pvcALS	EN 1092-1 DN65 PN16
	ASME B16.5 Class 150 NPS 2
	ASME B16.5 Class 150 NPS 2
FG, Marine	JIS B2220 10K 50A
	JIS B2220 10K 65A
	JIS B2220 16K 50A
FG, ASME	JIS B2220 16K 65A
	ASME B16.5 Class 150 NPS 2
	ASME B16.5 Class 150 NPS 2
FG, PED	EN 1092-1 DN50 PN16
	EN 1092-1 DN65 PN16
	ASME B16.5 Class 150 NPS 2
FD, pvcALS	EN 1092-1 DN50 PN40
	EN 1092-1 DN65 PN40
	ASME B16.5 Class 300 NPS 2
FD, ASME	JIS B2220 20K 50A
	JIS B2220 20K 65A
	ASME B16.5 Class 300 NPS 2 (Rectangular Loose Flange)
FD, PED	EN 1092-1 DN50 PN40
	EN 1092-1 DN65 PN40
	ASME B16.5 Class 300 NPS 2 (Rectangular Loose Flange)

Standard EN1092-1 corresponds to GOST 12815-80 and GB/T 9115.

Pipe connections

Connection type	Connection standard
Threaded port	ISO 228 - G 2
External parallel threaded	ISO 228 - G 2 B
Radial grooved pipe	NPS 2

Other connection types may be available on request.

Certificates



This document and its contents are subject to copyrights and other intellectual property rights owned by Alfa Laval Corporate AB. No part of this document may be copied, re-produced or transmitted in any form or by any means, or for any purpose, without Alfa Laval Corporate AB's prior express written permission. Information and services provided in this document are made as a benefit and service to the user, and no representations or warranties are made about the accuracy or suitability of this information and these services for any purpose. All rights are reserved.

CHE00096-6-EN-GB

© Alfa Laval Corporate AB

How to contact Alfa Laval

Up-to-date Alfa Laval contact details for all countries are always available on our website at www.alfalaval.com