

Alfa Laval AQ10

Gasketed plate heat exchanger for HVAC applications

Introduction

Alfa Laval AlfaQ™ is AHRI Certified® through the Liquid to Liquid Heat Exchangers (LLHE) Certification Program which ensures thermal performance in accordance with the product specifications.

Suitable for HVAC applications, this model is available with a large selection of plate and gasket types.

Applications

- HVAC

Benefits

- High energy efficiency – low operating cost
- Flexible configuration – heat transfer area can be modified
- Easy to install – compact design
- High serviceability – easy to open for inspection and cleaning and easy to clean by CIP
- Access to Alfa Laval's global service network

Features

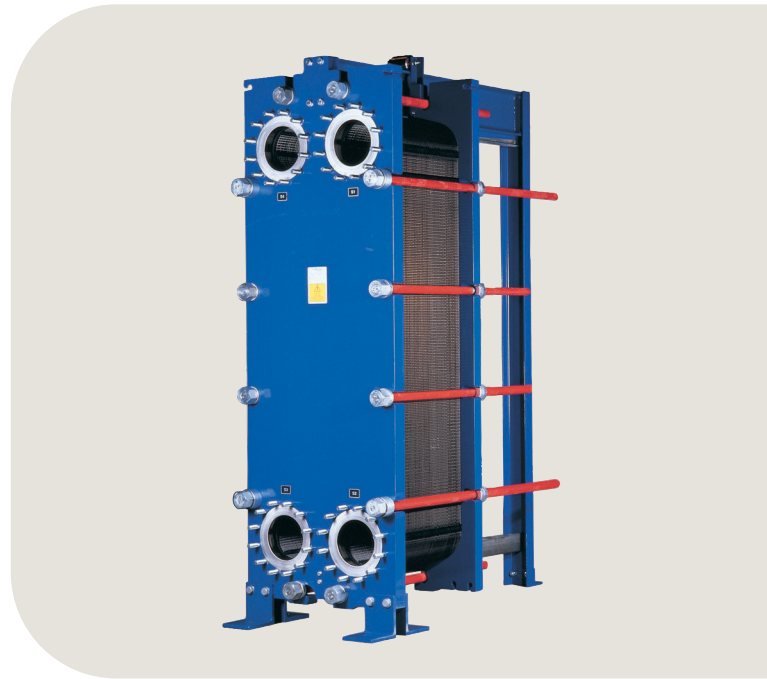
Every detail is carefully designed to ensure optimal performance, maximum uptime and easy maintenance. Selection of available features, depending on configuration some features may not be applicable:



- Five-point alignment
- Reinforced hanger
- Chocolate pattern distribution area
- Glued gasket
- Clip-ad gasket
- Leak chamber
- Bearing boxes
- Fixed bolt head
- Key hole bolt opening
- Lifting lug
- Lining
- Lock washer
- Pressure plate roller
- Tightening bolt cover

Alfa Laval 360° Service Portfolio

Our extensive service offering ensure top performance from your Alfa Laval equipment throughout its life cycle. The Alfa



Laval 360 Service Portfolio include installation services, cleaning and repair as well as spare parts, technical documentation and trouble shooting. We also offer replacement, retrofit, monitoring and much more.

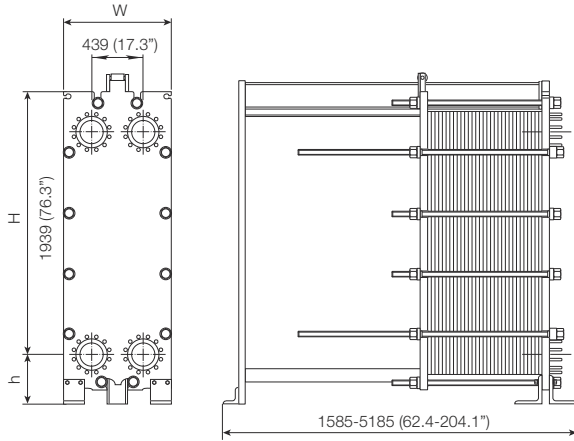
For information about our complete service offering and how to contact us - please visit www.alfalaval.com/service.

General remarks for technical information

- The global offering presented in this leaflet may not be available for all regions
- All combinations may not be configurable

Dimensional drawing

Measurements mm (inches)



Type	H	W	h
MX25-FMS	2595 (102.2")	920 (36.2")	325 (12.8")
MX25-FGS	2595 (102.2")	920 (36.2")	325 (12.8")
MX25-FG	max. 3103 (122.2")	920 (36.2")	435 (17.1")
MX25-FD	max. 3103 (122.2")	940 (37.0")	435 (17.1")
MX25-FS	max. 3103 (122.2")	940 (37.0")	435 (17.1")

The number of tightening bolts may vary depending on pressure rating.

Technical data

Plates	Type	Free channel, mm (inches)
MX25-B	Single plate	2.5 (0.098)
MX25-M	Single plate	4.0 (0.16)

Materials

Heat transfer plates	304/304L, 316/316L, 254 C-276 Ti
Field gaskets	NBR, EPDM, FKM Carbon steel
Flange connections	Metal lined: stainless steel, Alloy C-276, titanium Rubber lined: NBR, EPDM
Frame and pressure plate	Carbon steel, epoxy painted

Other materials may be available on request

Operational data

Frame, PV-code	Max. design pressure (barg/psig)	Max. design temperature (°C/°F)
FMS, pvcALS	10.0/145	180/356
FMS, PED	10.0/145	180/356
FG, ASME	10.3/150	177/350
FG, PED	16.0/232	200/392
FGS, pvcALS	16.0/232	180/356
FGS, ASME	10.3/150	180/356
FGS, PED	16.0/232	180/356
FD, pvcALS	25.0/363	210/410
FD, ASME	20.7/300	177/350
FD, PED	25.0/362	210/410
FS, ASME	27.6/400	177/350

Extended pressure and temperature rating may be available on request.

Flange connections

Frame model	Connection standard
FMS, pvcALS	EN 1092-1 DN200/DN250 PN10
	ASME B16.5 Class 150 NPS 8
	ASME B16.5 Class 150 NPS 10
	JIS B2220 10K 200A/250A
FMS, PED	EN 1092-1 DN200/DN250 PN10
	ASME B16.5 Class 150 NPS 8
	ASME B16.5 Class 150 NPS 10
FG, pvcALS	EN 1092-1 DN200 PN16
	EN 1092-1 DN250 PN16
	ASME B16.5 Class 150 NPS 8
	ASME B16.5 Class 150 NPS 10
	JIS B2220 10K 200A
	JIS B2220 16K 200A/250A
FG, ASME	ASME B16.5 Class150 NPS 8
	ASME B16.5 Class150 NPS 10
FG, PED	EN 1092-1 DN200 PN16
	EN 1092-1 DN250 PN16
FGS, pvcALS	EN 1092-1 DN200/DN250 PN16
	ASME B16.5 Class 150 NPS 8
	ASME B16.5 Class 150 NPS10
	JIS B2220 10K 200A
	JIS B2220 10K 250A
	JIS B2220 16K 200A
FGS, ASME	JIS B2220 16K 250A
	ASME B16.5 Class 150 NPS 8
	ASME B16.5 Class 150 NPS 10
	EN 1092-1 DN200 PN16
FGS, PED	EN 1092-1 DN250 PN16
	ASME B16.5 Class 150 NPS 8
	ASME B16.5 Class 150 NPS 10
FD, pvcALS	EN 1092-1 DN200 PN25
	EN 1092-1 DN250 PN25
	ASME B16.5 Class 300 NPS 8
	ASME B16.5 Class 300 NPS 10
	JIS B2220 20K 200A
	JIS B2220 20K 250A
FD, ASME	ASME B16.5 Class 300 NPS 8
	ASME B16.5 Class 300 NPS 10
FDc, ASME	EN 1092-1 DN200 PN25
FD, PED	EN 1092-1 DN250 PN25
	ASME B16.5 Class 300 NPS 8
	ASME B16.5 Class 300 NPS 10
FS, ASME	ASME B16.5 Class 300 NPS 8
	ASME B16.5 Class 300 NPS 10

Certificates



This document and its contents are subject to copyrights and other intellectual property rights owned by Alfa Laval Corporate AB. No part of this document may be copied, re-produced or transmitted in any form or by any means, or for any purpose, without Alfa Laval Corporate AB's prior express written permission. Information and services provided in this document are made as a benefit and service to the user, and no representations or warranties are made about the accuracy or suitability of this information and these services for any purpose. All rights are reserved.

CHE00105-2-EN-GB

© Alfa Laval Corporate AB

How to contact Alfa Laval

Up-to-date Alfa Laval contact details for all countries are always available on our website at www.alfalaval.com