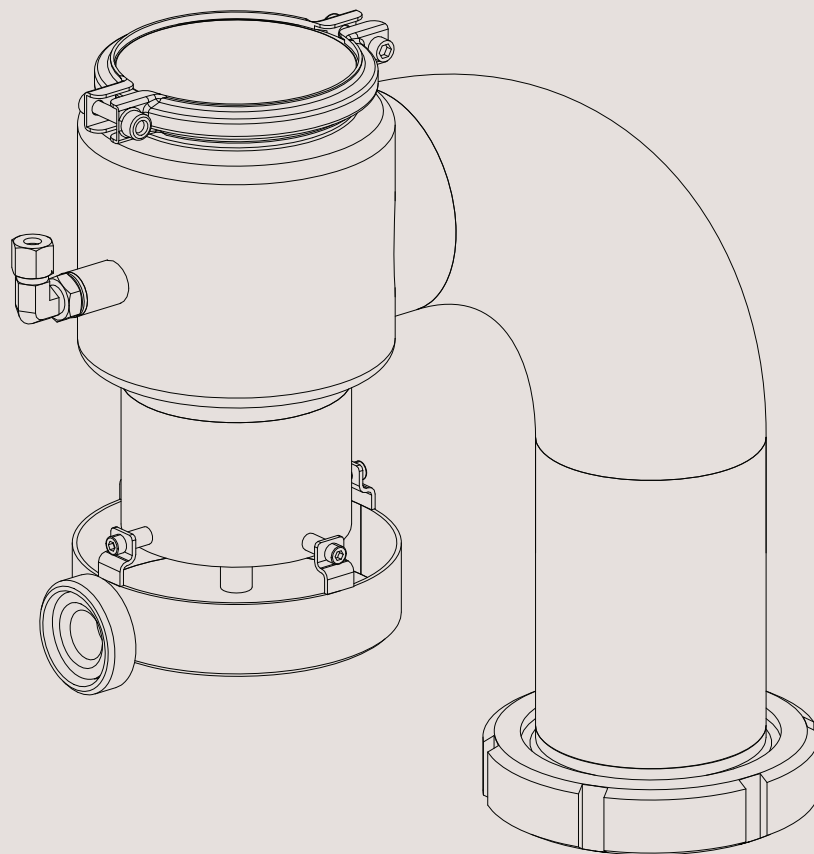




Instruction Manual

Alfa Laval SB Anti Vacuum House



ESE02964-EN5 2022-01

Original manual

The information herein is correct at the time of issue but may be subject to change without prior notice

1. EC Declaration of Conformity	4
2. Safety	5
2.1. Important information	5
2.2. Warning signs	5
2.3. Safety precautions	6
3. Installation	7
3.1. Unpacking/delivery	7
3.2. General installation	7
3.3. Valve assembly	8
3.4. Installation of valve and accessories	8
3.5. Recycling information	9
4. Operation	10
4.1. Operation	10
4.2. Discharge capacity	11
4.3. Recommended cleaning	12
5. Maintenance	13
5.1. General maintenance	13
6. Technical Data	14
6.1. Technical data	14
7. Parts List and Service Kits	16

1 EC Declaration of Conformity

Revision of Declaration of Conformity: 2020-02-10

The Designated Company

Alfa Laval Kolding A/S
Company Name

Albuen 31, DK-6000 Kolding, Denmark
Address

+45 79 32 22 00
Phone No.

hereby declares that

Valve
Designation

Alfa Laval SB Anti Vacuum House
Type

Serial number from AAB000000001 to AAB999999999
Serial number from 100700000001 to 100799999999

is in conformity with the following directives with amendments:

- Machinery Directive 2006/42/EC
- Pressure Equipment Directive 2014/68/EU of the European Community, Category IV
- Pressure Equipment Directive 2014/68/EU of the European Community, Fluida Group II

Conformity Assessment According to Directive 2014/68/EU Annex III Module D
PED Quality Certificate No. QS-005-19 rev2

Notified Body Number: 1336
Inspecta Estonia OÜ
Teaduspargi 8
12618 Tallinn
ESTONIA


The person authorised to compile the technical file is the signer of this document

Global Product Quality Manager
Pumps, Valves, Fittings and Tank Equipment
Title

Lars Kruse Andersen
Name

Kolding
Place

2022-01-01
Date


Signature



*Unsafe practices and other important information are emphasised in this manual.
Warnings are emphasised by means of special symbols.*

2.1 Important information

Always read the manual before using the valve!

WARNING

Indicates that special procedures must be followed to avoid serious personal injury.

CAUTION

Indicates that special procedures must be followed to avoid damage to the valve.

NOTE

Indicates important information to simplify or clarify procedures.

2.2 Warning signs

General warning:



Caustic agents:



2 Safety

All warnings in the manual are summarised on this page.

Pay special attention to the instructions below to avoid serious personal injury and damage to the valve.

2.3 Safety precautions

Installation:

Always read the technical data thoroughly (see chapter 6 Technical Data.)

Never touch the moving parts if the actuator for force opening is supplied with compressed air.

Never dismantle the valve or actuator for force opening when under pressure.

Never dismantle the valve when it is hot.



Operation:

Never dismantle the valve or actuator for force opening when under pressure.

Never dismantle the valve when it is hot.

Always read the technical data thoroughly (see chapter 6 Technical Data)

Never touch the moving parts or actuator for force opening when supplied with compressed air.

Never cover or in any way restrict the valve must be able to work unobstructed at all time.



Always handle lye and acid with great care.



Maintenance:

Always read the technical data thoroughly (see chapter 6 Technical Data)

Never service the valve when it is hot.

Never service the valve or actuator when under pressure.

Never put your fingers between the valve and actuator for force opening.

Never touch the moving parts if the actuator for force opening is supplied with compressed air.



Transportation:

Always ensure that all bolt connections are disconnected before attempting to remove the valve from the installation.

Always drain liquid out of valves before transportation.

Always ensure sufficient fixing of the valve during transportation.

*The instruction manual is part of delivery. Study the instructions carefully.
The items refer to the Parts List and Service Kits section.*

3.1 Unpacking/delivery

Step 1

CAUTION

Alfa Laval cannot be held responsible for incorrect unpacking.

Check the delivery for:

1. Complete valve
 2. Drain collector (option)
 3. Force opener (option)
 4. Proximity sensor (option)
 5. Pressure regulator (option)
 6. Pressure relief valve (option)
 7. Blind plate (option)
-

Step 2

Remove any packing materials from the valve/valve parts.
Inspect the valve/valve parts for visible transport damage.
Avoid damaging the valve/valve parts.

3.2 General installation

Step 1



Always read the technical data thoroughly.

See chapter 6 Technical Data



Always release compressed air from the actuator for force opening after use.

CAUTION

Alfa Laval cannot be held responsible for incorrect installation.

3 Installation

*The instruction manual is part of delivery. Study the instructions carefully.
The items refer to the Parts List and Service Kits section.*

3.3 Valve assembly

The Anti Vacuum House is delivered as a fully assembled valve.
In the case of a Pressure Relief valve option, the weight and lever must be fitted by customer.

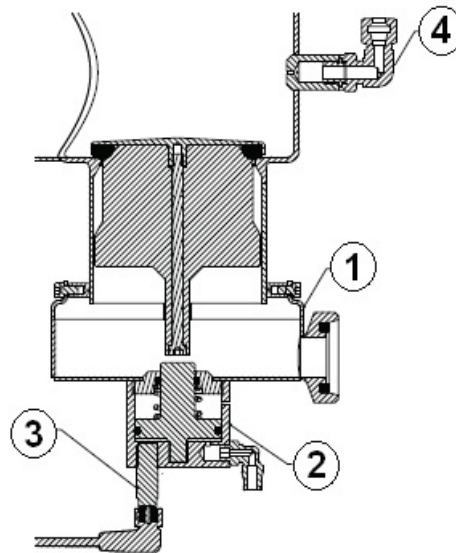
3.4 Installation of valve and accessories

The valve will normally be fitted with a 90-degree bend with a nut and liner or a flange connection.
The valve must be fitted in an upright position. An inclination of max 5° is acceptable.

The valve is equipped with a CIP nozzle and pipe fitting suitable for an OD8 mm steel pipe.
Connect CIP supply or blind of connection.
Ensure all connections are tight.

Options

1. Drain collector
2. Force opener
3. Proximity sensor
4. CIP nozzle (standard)



*The instruction manual is part of delivery. Study the instructions carefully.
The items refer to the Parts List and Service Kits section.*

3.5 Recycling information

Unpacking

- Packing material consists of wood, plastics, cardboard boxes and, in some cases, metal straps.
- Wood and cardboard boxes can be reused, recycled or used for energy recovery.
- Plastics should be recycled or burnt at an authorised waste incineration plant.
- Metal straps should be sent for material recycling.

Maintenance

- All metal parts should be sent for material recycling.
- Worn out or defective electronic parts should be sent to a licensed handler for material recycling.

Scrapping

- At the end of use, the equipment should be recycled according to relevant local regulations. As well as the equipment itself, any hazardous residues from the process liquid must be considered and dealt with in a proper manner. When in doubt, or in the absence of local regulations, please contact your local Alfa Laval sales company.
-

4 Operation

*The instruction manual is part of delivery. Study the instructions carefully.
The items refer to the Parts List and Service Kits section.*

4.1 Operation



Never obstruct or any way modify the valve plug.
Alfa Laval cannot be held responsible for incorrect operation.

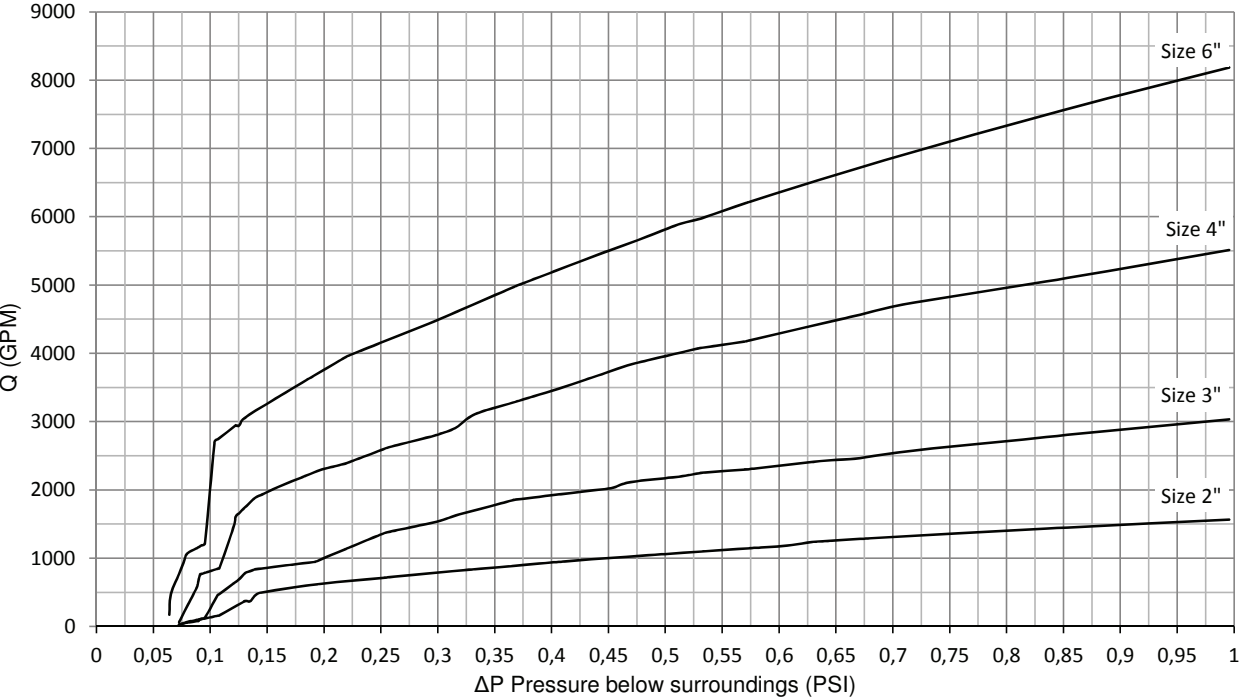
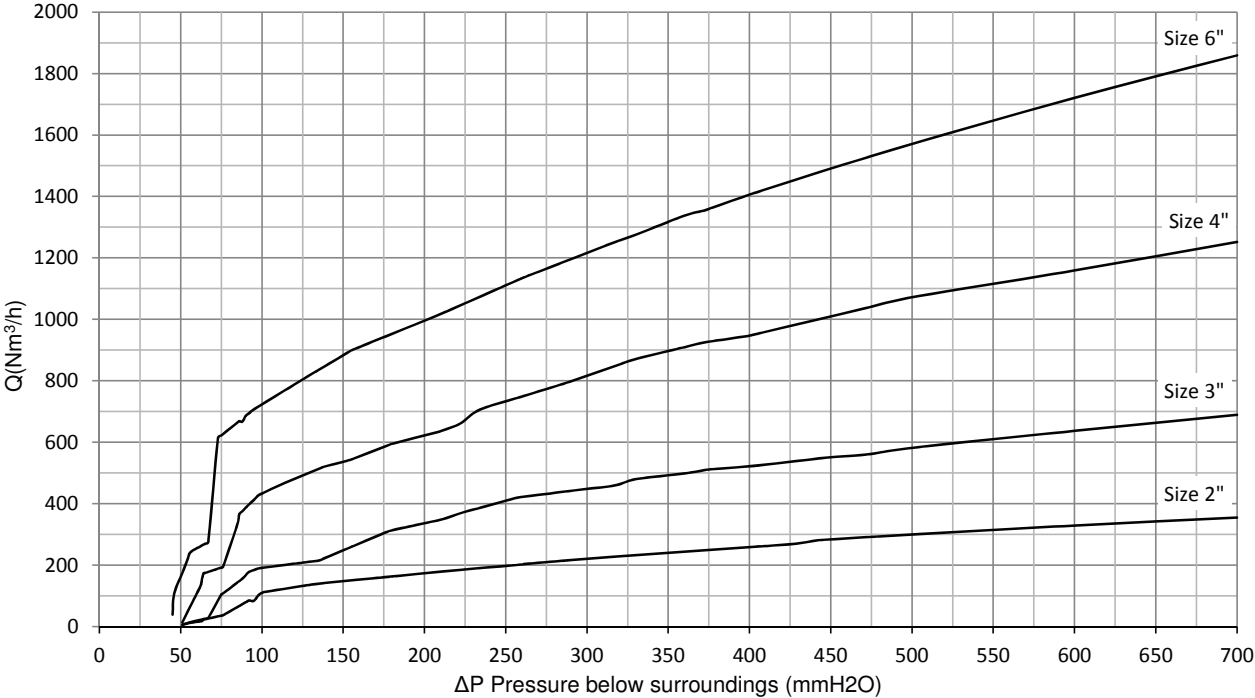
Operation range

Nominal size	Opening pressure	Allowable pressure PS
2"	50 mmH ₂ O (0.07 psi)	4.5 bar (65 psi)
3"	50 mmH ₂ O (0.07 psi)	4.5 bar (65 psi)
4"	50 mmH ₂ O (0.07 psi)	4.5 bar (65 psi)
6"	50 mmH ₂ O (0.07 psi)	4.5 bar (65 psi)

The instruction manual is part of delivery. Study the instructions carefully.
The items refer to the Parts List and Service Kits section.

4.2 Discharge capacity

Medium: Air



4 Operation

*The instruction manual is part of delivery. Study the instructions carefully.
The items refer to the Parts List and Service Kits section.*

4.3 Recommended cleaning



Always handle lye and acid with great care.

Caustic hazard!



Always use
rubber gloves!



Always use
protective goggles!

It is important that the valve seat is kept clean.

The Anti Vacuum House can be cleaned during tank CIP cycle by connecting the CIP nozzle to main CIP supply.

To prevent CIP detergent from spilling on the tank top, the use of a drain collector is recommended.

When the tank is cleaned depressurised, a small volume of cleaning fluid will pass the vacuum body and clean the seat. To ensure thorough flushing of the valve seat, force opening of the valve is necessary.

The instruction manual is part of delivery. Study the instructions carefully.
The items refer to the Parts List and Service Kits section.

5.1 General maintenance

Step 1



Always read the technical data thoroughly.
See chapter 6 Technical Data

Step 2



Never service the valve when it is hot.



Never service the valve with the valve or actuator under pressure.

Atmospheric pressure required!

Burning hazard!



Step 3



Never put your fingers between the valve and actuator for force opening.

Cutting hazard!



Step 4



Never touch the moving parts if the actuator for force opening is supplied with compressed air.

Moving parts!



Below are some guidelines for maintenance and lubrication intervals.

Valve

To ensure the valve operates correctly, test of function at regular intervals is required.
Intervals are dependent on operation conditions and should be specified by the user or local regulations.

Alfa Laval recommends intervals of once every 6-12 months.
Plug seal and gasket replacement every 2-5 years.

Actuator for force opening

Disassemble, clean and lubricate the actuator every 2-5 years.
O-ring replacement every 2-5 years.

6 Technical Data

The instruction manual is part of delivery. Study the instructions carefully.
The items refer to the Parts List and Service Kits section.

6.1 Technical data

The Anti Vacuum House is used to minimise the risk of implosion of tanks exposed to vacuum e.g. during emptying, cool-rinsing after hot-cleaning or caustic cleaning in a CO₂ atmosphere. The valve can be equipped with a force opener.

Valve data

Operation range			
Nominal size	Opening pressure	Allowable pressure PS	Weight
2"	50 mmH ₂ O (0.07 psi)	4.5 bar (65 psi)	1.5 kg
3"	50 mmH ₂ O (0.07 psi)	4.5 bar (65 psi)	3 kg
4"	50 mmH ₂ O (0.07 psi)	4.5 bar (65 psi)	5.8 kg
6"	50 mmH ₂ O (0.07 psi)	4.5 bar (65 psi)	13.1 kg
CIP nozzle flow rate			
2"	0.35 m ³ /h @ 1 bar	(1.5 GPM @ 14.5 psi)	
3"	0.35 m ³ /h @ 1 bar	(1.5 GPM @ 14.5 psi)	
4"	0.35 m ³ /h @ 1 bar	(1.5 GPM @ 14.5 psi)	
6"	5.1 m ³ /h @ 1 bar	(22.45 GPM @ 14.5 psi)	

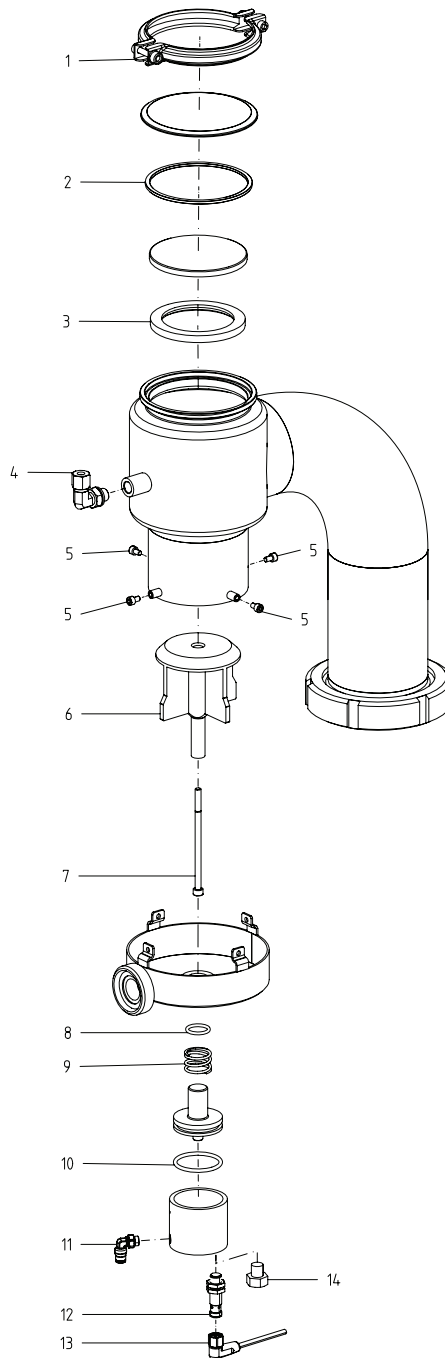
Materials	
Product wetted steel parts	EN 1.4404 (AISI 316L) with 3.1 cert.
Product wetted seals	EPDM
Temperature	
Max. operating temperature	80°C

Actuator data

Actuator for force opening	
Max. air supply	10 bar
Min. air supply	5 bar
Noise	
Noise of actuator	75 dB(A)

7 Parts List and Service Kits

The instruction manual is part of delivery. Study the instructions carefully.
The items refer to the Parts List and Service Kits section.



7 Parts List and Service Kits

The instruction manual is part of delivery. Study the instructions carefully.
The items refer to the Parts List and Service Kits section.

Parts list

Pos.	Qty	Denomination
1	1	Clamp
2 ♦	1	Seal ring, EPDM
3 ♦	1	Plug seal, EPDM
4	1	CIP inlet
5	4	Screw
6	1	Vacuum tail
7	1	Screw
8 □	1	O-ring, NBR
9	1	Spring
10 □	1	O-ring, NBR
11	1	Air fitting
12	1	Sensor
13	1	Sensor cable 5 m
14	1	Plug

Service kits

Denomination	51 mm	76.1 mm	101.6 mm	DN150
♦ Service kit Anti Vacuum House	9611924329	9611924330	9611924331	9611924332
□ Service kit Force opener	9615151001	9615151001	9615151001	9615151001

How to contact Alfa Laval

Contact details for all countries are continually updated on our website.

Please visit www.alfalaval.com to access the information directly.

© Alfa Laval Corporate AB

This document and its contents is owned by Alfa Laval Corporate AB and protected by laws governing intellectual property and thereto related rights. It is the responsibility of the user of this document to comply with all applicable intellectual property laws. Without limiting any rights related to this document, no part of this document may be copied, reproduced or transmitted in any form or by any means (electronic, mechanical, photocopying, recording, or otherwise), or for any purpose, without the expressed permission of Alfa Laval Corporate AB. Alfa Laval Corporate AB will enforce its rights related to this document to the fullest extent of the law, including the seeking of criminal prosecution.