



## Alfa Laval Access Tank Cover - Circular Cover Type LKDC - LPB and LP

### Tank Covers

#### Introduction

The Alfa Laval Access Tank Cover - Circular Cover Type LKDC – LPB and LP is a stainless steel manway cover that provides a secure fit for openings on top of tanks or containers that require quick, easy and convenient entry and egress to vessel interiors.

It is engineered to withstand vacuum conditions created during cleaning procedures or during production under low pressure conditions up to 1 bar.

#### Application

The Access Tank Cover - Circular Cover Type LKDC – LPB and LP are designed to cover openings on top of tanks or containers in hygienic applications across the dairy, food, beverage, brewery, wine, juice, personal care, pharmaceutical and many other industries.

#### Benefits

- Cost efficient solution for low pressure tanks
- Hygienic design
- Safe and easy handling with safety pin and springs on the handles of the LKDC-LP type

#### Standard design

To enable visual inspection and/or physical entry into the tank, the tank cover swings outwards. Tank covers may be positioned above and below liquid level to meet different application requirements.

The LKDC-LPB consists of AISI 304 or AISI316L stainless steel lid and frame and EPDM seals and plastic handles

The LKDC-LP consists of AISI 304 or AISI 316L stainless steel lid and frame and EPDM seals, handles, springs and safety pin for easy and safe handling. Acid-pickled surface finishes meet the high-quality requirements of hygienic processes; product wetted surfaces are  $Ra \leq 0.8 \mu\text{m}$ . Other surfaces are  $Ra \leq 1.2$ .

#### Certificates

3.1 (cover and frame are supplied with material certificate 3.1 according to EN10204)



## TECHNICAL DATA

### Pressure

Working pressure: -1 to 1 bar

Please note: the low pressure cover can stand up to 1 bar and is not PED approved.

### Temperature

Temperature range: -10 - 150 °C

## PHYSICAL DATA

### Materials

Lid and frame: 1.4301 (304) or 1.4404 (316L)

Plastic parts: Nylon Seals

(standard): EPDM Seals

(optional): NBR or FPM or Q (silicone)

Surface finish: Acid Pickled

Product wetted surfaces: Ra≤0.8 μm

Other surfaces: Ra≤1.2 μm

### Temperature:

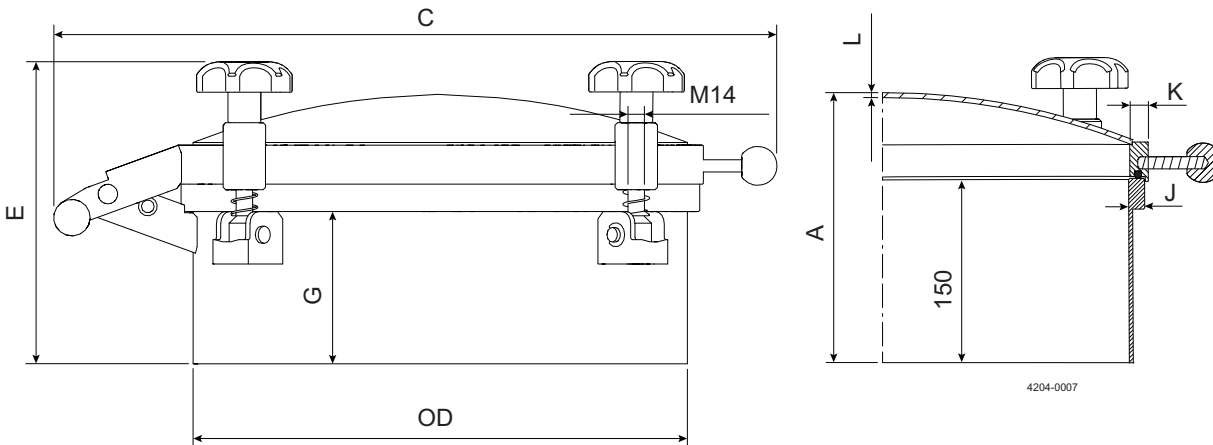
EPDM: -15° / 90° C

NBR: -30° / 110° C

SILICONE (Q): -50° / 200° C

FPM: -10° / 250° C

## Dimensions (mm)



Size	300	400	450	498	600
OD	306	406	458	506	608
C	483	594	661	701	807
A	211	221	231	232	247
E	236	236	236	236	236
G	82	82	67	67	67
K	15	15	18	18	18
J	13	13	14	14	14
Frame height	150	150	150	150	150
Frame thickness H	3	3	4	4	4
Weight (kg)	15.6	21.3	28.1	32.8	43.6
No.off handles	3	4	4	6	6

Alfa Laval reserves the right to change specifications without prior notification.

---

**How to contact Alfa Laval**

Contact details for all countries are continually updated on our website. Please visit [www.alfalaval.com](http://www.alfalaval.com) to access the information direct.