



## Alfa Laval LKGG-1 and LKGL-1 In-Line Sight Glass

In-line sight glass for visual inspection of product flow in hygienic applications

### Introduction

The Alfa Laval LKGG-1 and LKGL-1 In-Line Sight Glass permits direct, distortion-free visual inspection of process conditions, product flow, liquid levels and cleaning status inside pipelines.

Affordable and easy-to-operate, the leakproof in-line sight glass makes it possible for operators to view the color, clarity, turbidity, or other critical characteristics of the product or cleaning status of the pipelines.

Inspection enables early detection of potential issues and quick response. This helps prevent costly downtime, protect plant equipment and improve operational efficiency.

### Application

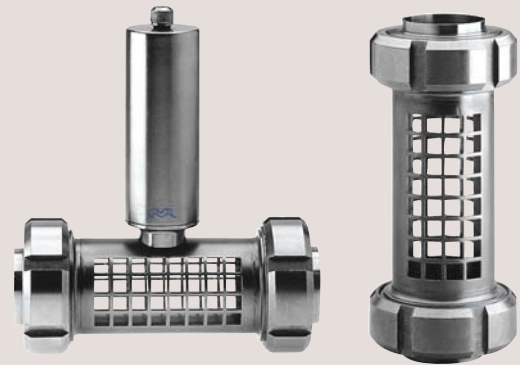
The LKGG-1 and LKGL-1 In-Line Sight Glass is used in pipelines to facilitate clear, continuous and unobstructed inspection of various process conditions in hygienic applications across the dairy, food, beverage, personal care, biotechnology and pharmaceutical industries.

### Benefits

- Improved operational efficiency
- Enables early detection and quick response to potential issues
- Reliable operation and more uptime
- Quick and easy to install
- Low maintenance requirements

### Standard design

The Alfa Laval In-Line Sight Glass range is available in two types: Alfa Laval LKGG-1 and LKGL-1. The Alfa Laval LKGG-1 In-Line Sight Glass has a perforated stainless steel shield tube fitted with a welding union at each end. A special glass tube is fixed in the shield tube to assure it is unaffected by potential stresses in the pipelines. The LKGL-1 is similar to LKGG-1 but has a stainless steel light fitting welded onto the shield tube to permit illumination of the product.



## TECHNICAL DATA

Temperature	
Recommended max. working temperature:	110°C
Max. thermal shock:	100°C
Bulb:	24 V / 24 W
Bulb socket:	B 15

Pressure	
Max. test pressure (20°C)	500 kPa (5 bar)

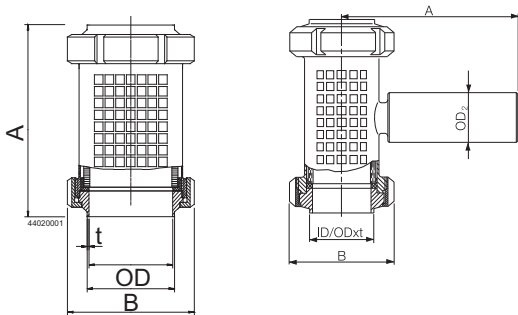
### Sizes

25 mm (1"), 38 mm (1½"), 51 mm (2"), 63.5 mm (2 ½") and 76 mm (3").

## PHYSICAL DATA

Materials	
Seals:	EPDM rubber
Steel grade:	Stainless steel AISI 304 or acidresistant steel AISI 316
Glass disc:	Borosilicate

### Dimensions (mm)



Size	25mm	38mm	51mm	63.5mm	76.1mm	101.6mm
A	175	181	188	194	200	-
B	64	77	91	106	122	148
OD	26.2	38.9	51.6	64.3	76.6	102
ID	22.5	35.5	48.5	60.5	72	97.6
t	1.85	1.7	1.55	1.9	2.3	2.2
Weight (kg)	1.0	1.5	2.0	2.5	3.6	-

### Notel

- LKGL-1: +0.5 kg
- Size 101.6mm only for LKGG-1

### Options

Material grades

- A. Seals of Nitrile (NBR).

### Ordering

Please state the following when ordering:

- Materials, AISI 304 or 316.
- Type: LKGG-1 or LKGL-1.
- Size.

Alfa Laval reserves the right to change specifications without prior notification.

---

**How to contact Alfa Laval**

Contact details for all countries are continually updated on our website. Please visit [www.alfalaval.com](http://www.alfalaval.com) to access the information direct.