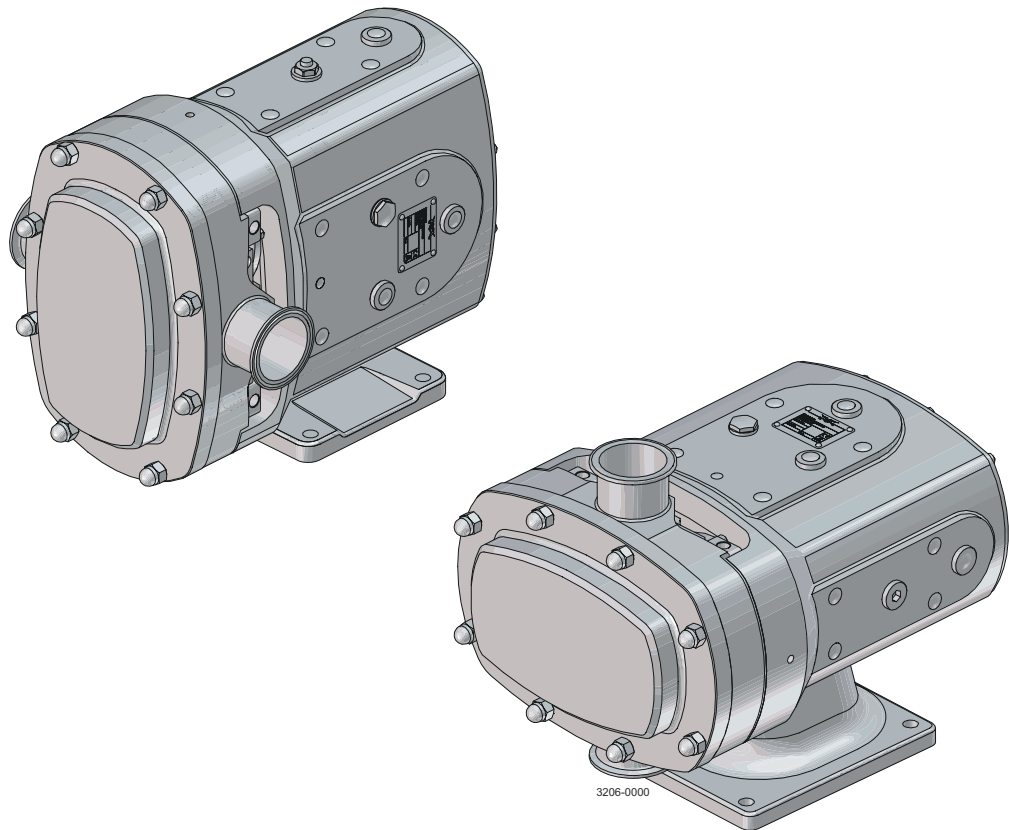


# Alfa Laval DuraCirc® Range

Circumferential Piston Pump

---



Lit. Code  
Manual No.

200005423-1-EN-GB  
100003824

Clearance Data Hi-Life  
Rotor

**Published by**  
Alfa Laval Kolding A/S  
Albuen 31  
DK-6000 Kolding, Denmark  
+45 79 32 22 00

**The original instructions are in English**

**© Alfa Laval Corporate AB 2021-08**

This document and its contents are subject to copyrights and other intellectual property rights owned by Alfa Laval Corporate AB. No part of this document may be copied, re-produced or transmitted in any form or by any means, or for any purpose, without Alfa Laval Corporate AB's prior express written permission. Information and services provided in this document are made as a benefit and service to the user, and no representations or warranties are made about the accuracy or suitability of this information and these services for any purpose. All rights are reserved.

---

# Contents

<b>1</b>	<b>General Information</b> .....	<b>5</b>
1.1	General Information.....	5
1.2	Rotor Identification.....	5
<b>2</b>	<b>Clearance Data</b> .....	<b>7</b>
2.1	DuraCirc 32 / 33 / 34 — Hi-Life Rotors.....	7
2.2	DuraCirc 42 / 43 — Hi-Life Rotors.....	8
2.3	DuraCirc 52 / 53 / 54 — Hi-Life Rotors.....	9
2.4	DuraCirc 62 / 63 — Hi-Life Rotors.....	10
2.5	DuraCirc 72 / 73 / 74 — Hi-Life Rotors.....	11



# 1 General Information

## 1.1 General Information

This manual contains only clearance data for the DuraCirc pump range and is supplement to the full Installation and Operating Manual which should be referred to in parallel.

Este manual contiene solo datos de espacio libre para la gama de bombas DuraCirc y es un complemento de la Manual de instalación y funcionamiento que se debe consultar en paralelo.

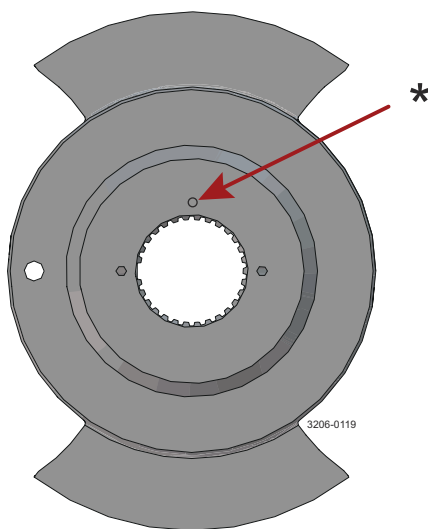
Die in diesem Handbuch enthaltenen Abstandsdaten gelten nur für die DuraCirc-Pumpenbaureihe. Lesen Sie diese Daten bitte in Verbindung mit dem Installationshandbuch.

Ce manuel contient des données de dégagement qui s'appliquent uniquement à la gamme de pompes DuraCirc. Veuillez prendre connaissance de ce document en même temps que le Manuel d'installation.

Это руководство содержит сведения о разрешениях только для линейки насосов DuraCirc. Обязательно используйте этот документ вместе с руководством по монтажу.

## 1.2 Rotor Identification

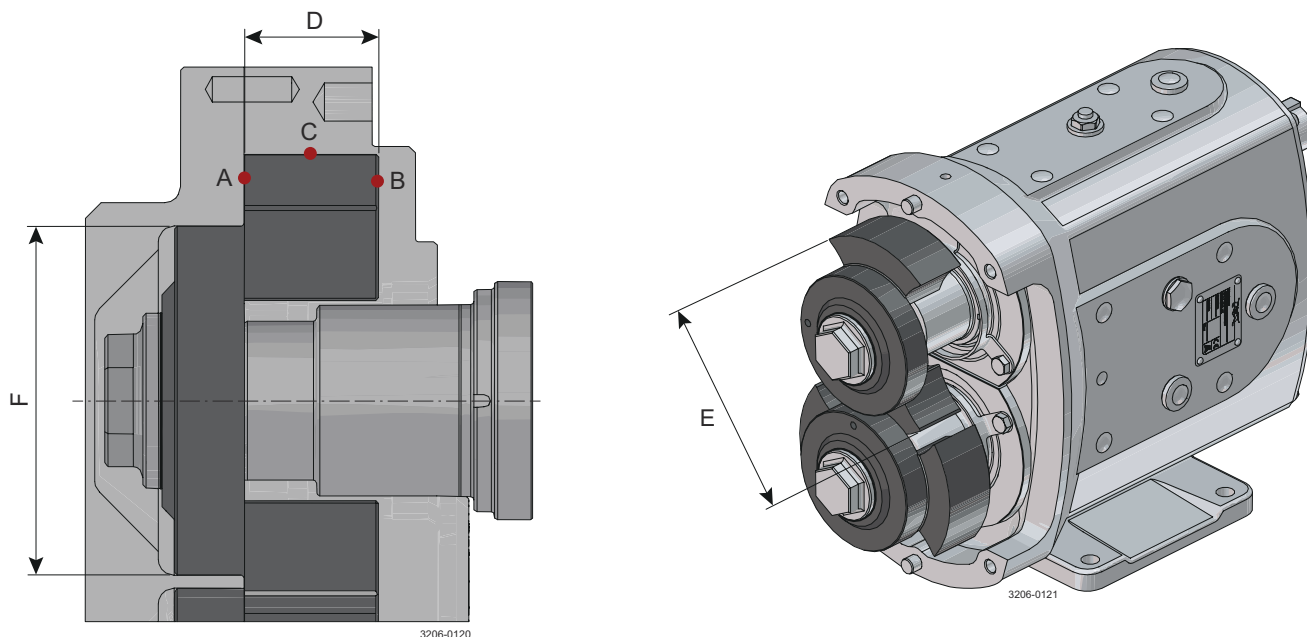
(\*)= Hi-Life





## 2 Clearance Data

### 2.1 DuraCirc 32 / 33 / 34 — Hi-Life Rotors



All dimensions given in mm.

#### DuraCirc 32 – Hi-Life Rotors

**25 bar**

Temperature	A Front Clearance	B Back Clearance	C Radial Clearance	D Rotor Length	E Rotor Diameter	F Hub Diameter
150°C	0.04 (min)	0.04 0.06	0.04 (min)	8.96 8.99	85.94 85.97	65.95 65.98

#### DuraCirc 33 – Hi-Life Rotors

**25 bar**

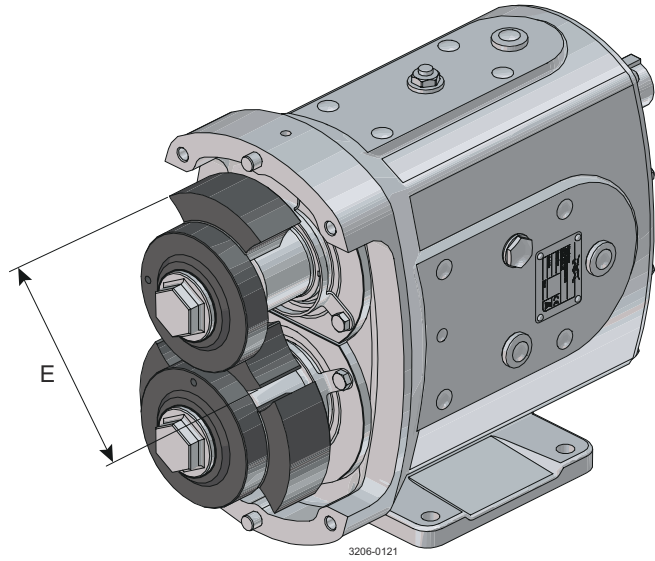
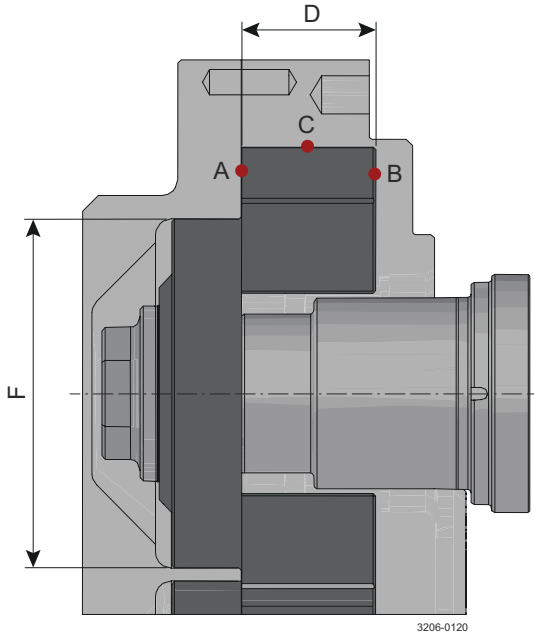
Temperature	A Front Clearance	B Back Clearance	C Radial Clearance	D Rotor Length	E Rotor Diameter	F Hub Diameter
150°C	0.06 (min)	0.05 0.07	0.08 (min)	15.93 15.96	85.84 85.87	65.85 65.88

#### DuraCirc 34 – Hi-Life Rotors

**16 bar**

Temperature	A Front Clearance	B Back Clearance	C Radial Clearance	D Rotor Length	E Rotor Diameter	F Hub Diameter
150°C	0.06 (min)	0.05 0.07	0.08 (min)	32.92 32.95	85.82 85.85	65.85 65.88

## 2.2 DuraCirc 42 / 43 — Hi-Life Rotors



All dimensions given in mm.

### DuraCirc 42 – Hi-Life Rotors

**20 bar**

Temperature	A Front Clearance	B Back Clearance	C Radial Clearance	D Rotor Length	E Rotor Diameter	F Hub Diameter
150°C	0.05 (min)	0.07 0.09	0.08 (min)	31.01 31.04	117.71 117.74	85.28 85.31

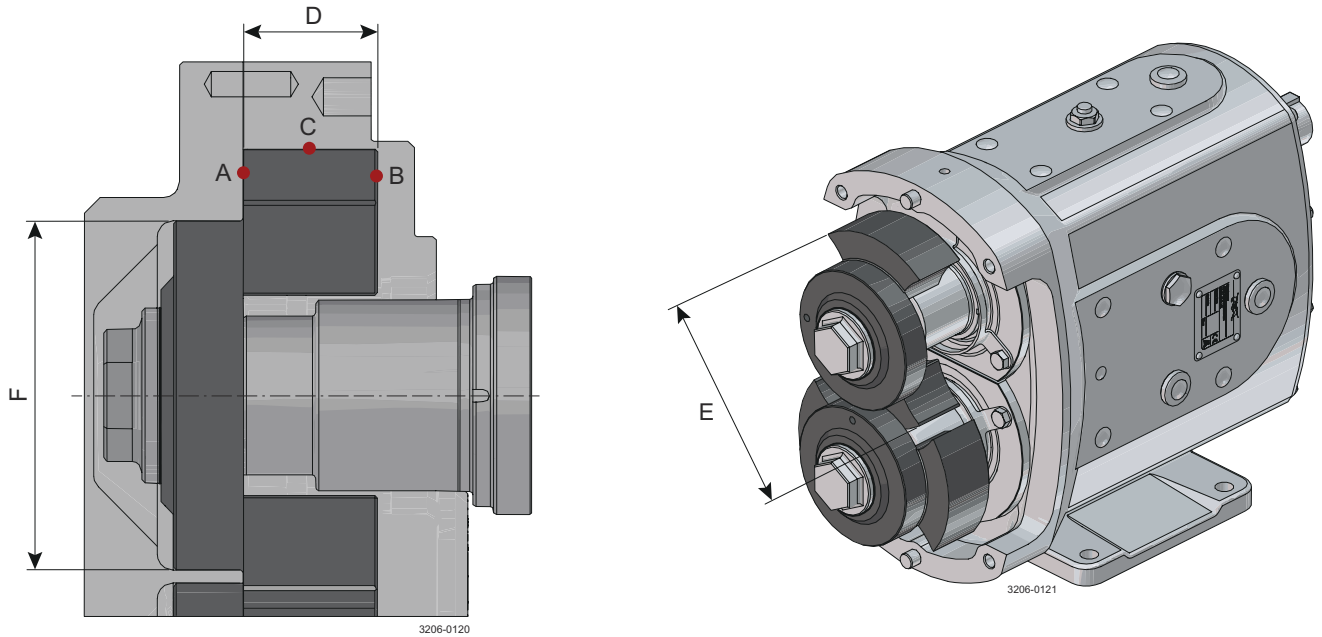
### DuraCirc 43 – Hi-Life Rotors

**13 bar**

Temperature	A Front Clearance	B Back Clearance	C Radial Clearance	D Rotor Length	E Rotor Diameter	F Hub Diameter
150°C	0.05 (min)	0.05 0.07	0.12 (min)	40.03 40.06	117.62 117.65	85.25 85.28



## 2.3 DuraCirc 52 / 53 / 54 — Hi-Life Rotors



All dimensions given in mm.

### DuraCirc 52 – Hi-Life Rotors

**37 bar**

Temperature	A Front Clearance	B Back Clearance	C Radial Clearance	D Rotor Length	E Rotor Diameter	F Hub Diameter
150°C	0.12 (min)	0.12 0.14	0.12 (min)	26.86 26.89	154.60 154.63	109.65 109.68

### DuraCirc 53 – Hi-Life Rotors

**25 bar**

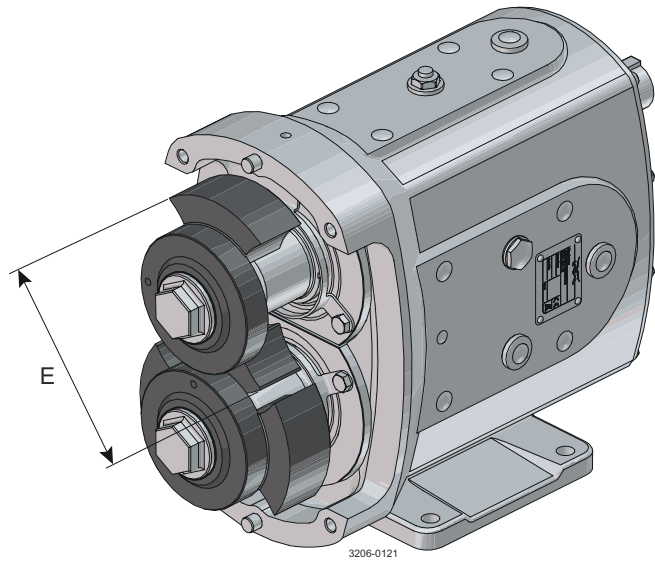
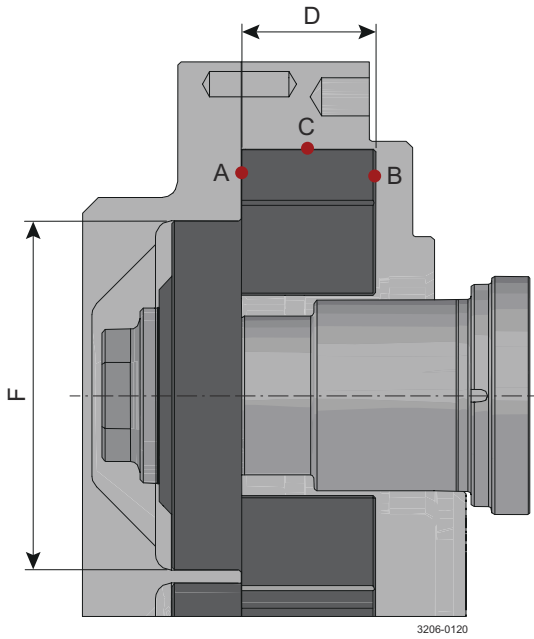
Temperature	A Front Clearance	B Back Clearance	C Radial Clearance	D Rotor Length	E Rotor Diameter	F Hub Diameter
150°C	0.11 (min)	0.10 0.12	0.12 (min)	42.12 42.15	154.60 154.63	109.73 109.76

### DuraCirc 54 – Hi-Life Rotors

**16 bar**

Temperature	A Front Clearance	B Back Clearance	C Radial Clearance	D Rotor Length	E Rotor Diameter	F Hub Diameter
150°C	0.10 (min)	0.10 0.12	0.25 (min)	68.93 68.96	154.34 154.37	109.47 109.50

## 2.4 DuraCirc 62 / 63 — Hi-Life Rotors



All dimensions given in mm.

### DuraCirc 62 – Hi-Life Rotors

**37 bar**

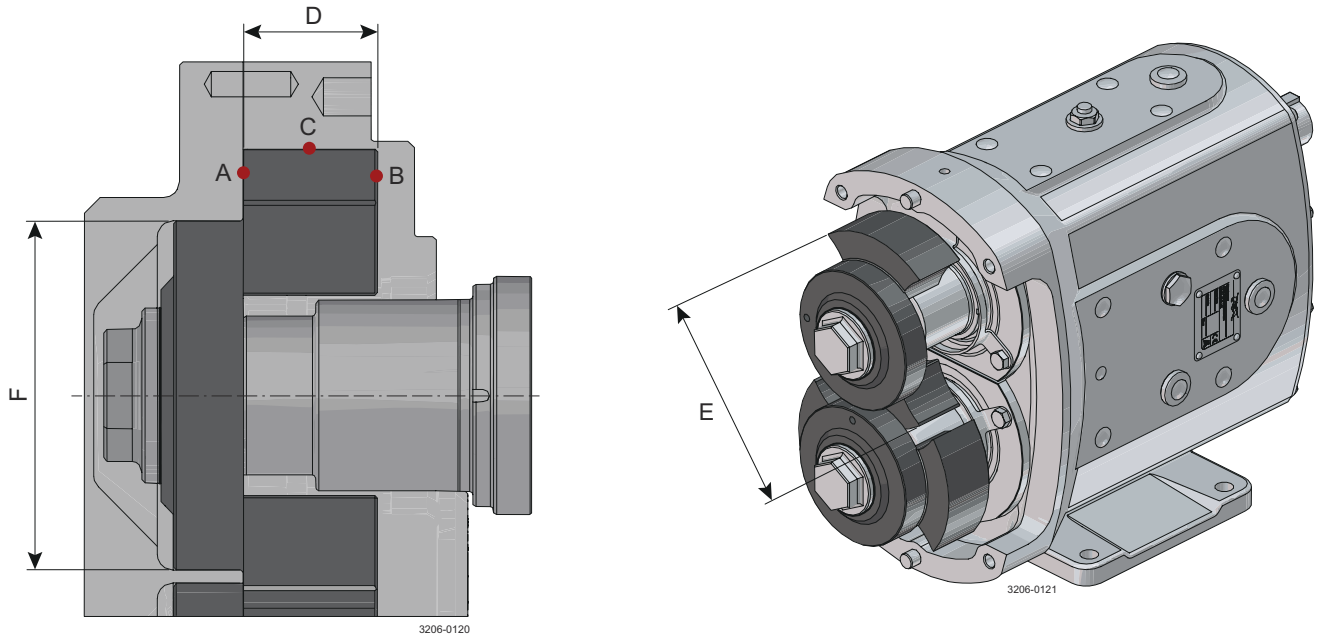
Temperature	A Front Clearance	B Back Clearance	C Radial Clearance	D Rotor Length	E Rotor Diameter	F Hub Diameter
150°C	0.14 (min)	0.17 0.19	0.20 (min)	54.82 54.85	207.33 207.36	145.21 145.24

### DuraCirc 63 – Hi-Life Rotors

**25 bar**

Temperature	A Front Clearance	B Back Clearance	C Radial Clearance	D Rotor Length	E Rotor Diameter	F Hub Diameter
150°C	0.15 (min)	0.22 0.24	0.26 (min)	74.76 74.79	207.23 207.26	145.04 145.07

## 2.5 DuraCirc 72 / 73 / 74 — Hi-Life Rotors



All dimensions given in mm.

### DuraCirc 72 – Hi-Life Rotors

40 bar

Temperature	A Front Clearance	B Back Clearance	C Radial Clearance	D Rotor Length	E Rotor Diameter	F Hub Diameter
150°C	0.12 (min)	0.20 0.22	0.20 (min)	50.81 50.84	247.33 247.36	173.37 173.40

### DuraCirc 73 – Hi-Life Rotors

25 bar

Temperature	A Front Clearance	B Back Clearance	C Radial Clearance	D Rotor Length	E Rotor Diameter	F Hub Diameter
150°C	0.17 (min)	0.16 0.18	0.23 (min)	75.80 75.83	247.27 247.30	173.75 173.78

### DuraCirc 74 – Hi-Life Rotors

16 bar

Temperature	A Front Clearance	B Back Clearance	C Radial Clearance	D Rotor Length	E Rotor Diameter	F Hub Diameter
150°C	0.20 (min)	0.20 0.22	0.32 (min)	109.73 109.76	247.07 247.12	173.15 173.18