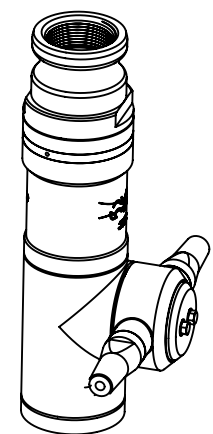
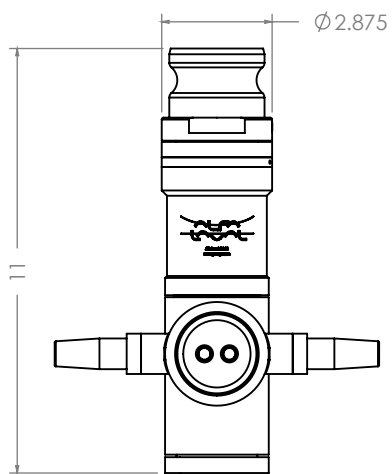
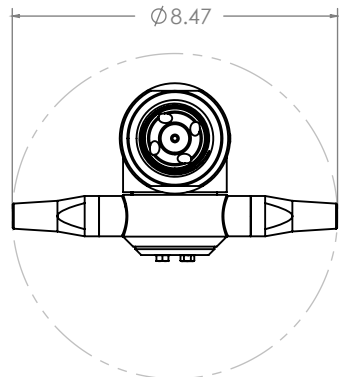
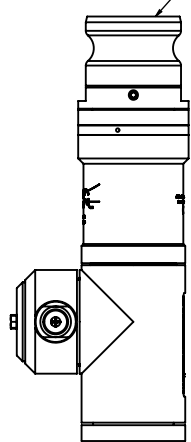


1 2 3 4 5 6



<sup>03</sup> 1-1/2" NPT & Cam/Groove Adapter



Insertion Clearance (Inches)			
		Dual	Triple
Free Hand	Clutch	4-3/4	6-3/4
	Pin	8-1/2	7-3/4
Fixed Center Line	Clutch	6-1/2	8-7/8
	Pin	9-3/4	9-3/4

- Notes:
- 316 SS, 18-8 Fasteners, Plastics, and Elastomers
  - Weight: 14-1/2 lbs.
  - Dual (Shown) and Triple Nozzle Available
  - Nozzle Sizes: range from 1/4" to 1/2"
  - Flow Range: 25 to 100 GPM
  - Pressure Range: 20 to 1000 PSIG
  - Min Full Wash Cycle: 8 minutes

REVISIONS				
REV	ECN/DESCRIPTION	BY	DATE	APR
01	NEW DRAWING	BFG	03AUG06	BFG
02	ADDED INSERTION CLEARANCE DIAMETER SKETCH	JAD	11NOV10	JAD
03	NEW BORDER FORMAT. 1-1/2" NPT WAS 2" NPT. CHANGED TITLE.	CM	02DEC14	CM

THIS DRAWING IS THE PROPERTY OF ALFA LAVAL REPRODUCTIONS AND USE OTHER THAN BORROWER'S AGREEMENT IS PROHIBITED. THIS DOCUMENT SHALL NOT BE LENT OR DISPOSED OF DIRECTLY OR INDIRECTLY NOR USED FOR ANY PURPOSE OTHER THAN THAT WHICH IS SPECIFICALLY FURNISHED.

DIMENSIONS ARE IN INCHES  
DIMENSIONS INTERPRETED PER ASME 14.5M-1994  
TOLERANCES:  
X ±1/16  
.XX ±0.010  
.XXX ±0.005  
ANGLE ±0.5°

DRAWN BY  
BFG

DRAWN DATE  
8/3/2006

APPROVED BY  
BFG

APPROVED DATE  
8/3/2006

MATERIAL  
Various

Alfa Laval

DESCRIPTION  
DUAL NOZZLE WITH <sup>03</sup> 1-1/2" INLET  
GJ 8

DWG. NO.  
GJ 8-1028-CS (2N)

REV 03  
SHEET 1/1

SIZE A SCALE 1:5 FINISH <sup>03</sup> Ra