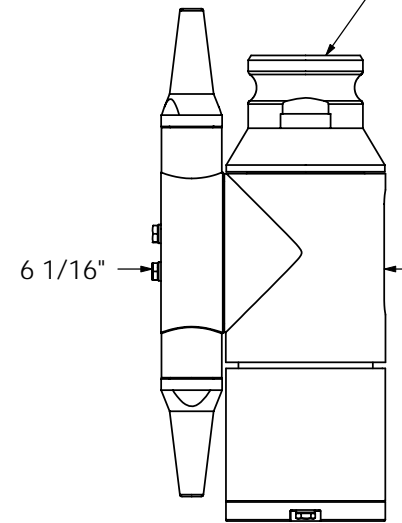
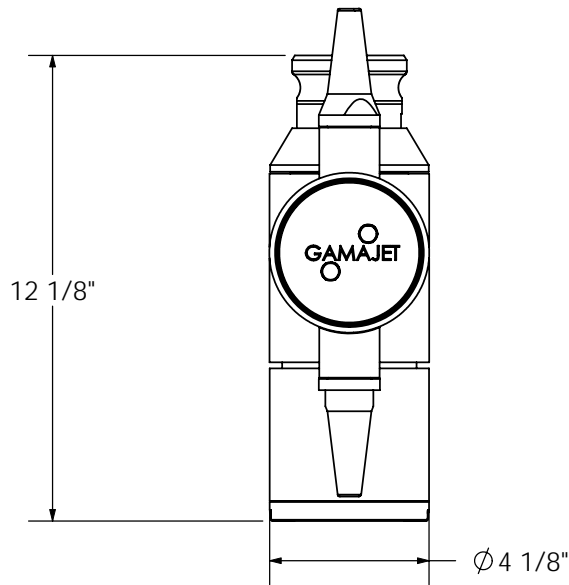


Inlet:
 - 2" NPT Female/ 2-1/2" Camlock Adapter (Standard)
 - 2" NPT Female/ 2-1/2" NST (Optional)



- Notes:
- 316 SS, 18-8 Fasteners, Plastics, and Elastomers
 - Weight: 28 lbs (Dual, Shown), 29 lbs (Triple)
 - Nozzle Sizes: range from 1/4" to 5/8"
 - Flow Range: 30 to 300+ (us)gpm
 - Pressure Range: 20 to 500 psig
 - Min. Full Wash Cycle: 6 minutes
 - Clearances:
 Pin Drive - 12.7" Dual, 11.5" Triple
 Clutch Drive - 6.7" Dual, 9.6" Triple

THIS DRAWING IS THE PROPERTY OF ALFA LAVAL REPRODUCTIONS AND USE OTHER THAN BORROWER'S AGREEMENT IS PROHIBITED. THIS DOCUMENT SHALL NOT BE LENT OR DISPOSED OF DIRECTLY OR INDIRECTLY NOR USED FOR ANY PURPOSE OTHER THAN THAT WHICH IS SPECIFICALLY FURNISHED.

DRAWN	DATE	Rev.	Description
BFG	05/01/06	1	New Drawing

UNLESS OTHERWISE SPECIFIED * DIMENSIONS ARE IN INCHES * [] DIMENSIONS ARE mm * DEBURR ALL SURFACES * FILLET RAD.: 0.015 * TOLERANCES: XX ±0.01 XXX ±0.005 ANGLE ±0.5°		Alfa Laval	
MATERIAL: See Notes		TITLE Dimensional Cut Sheet Dual Nozzle	
FINISH (UNLESS OTHERWISE SPECIFIED): ??? Ra		EQUIPMENT GJ 4	
SCALE: Full		DWG. NO. ---	SHEET 1 OF 1