

1

2

3

4

5

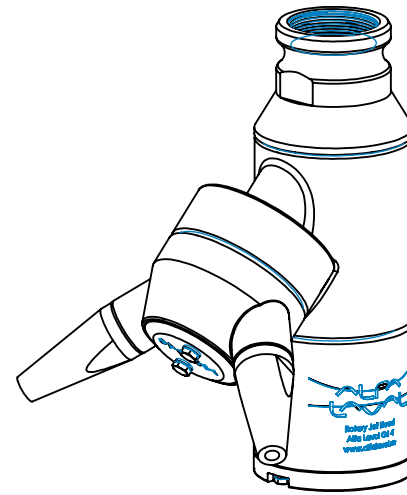
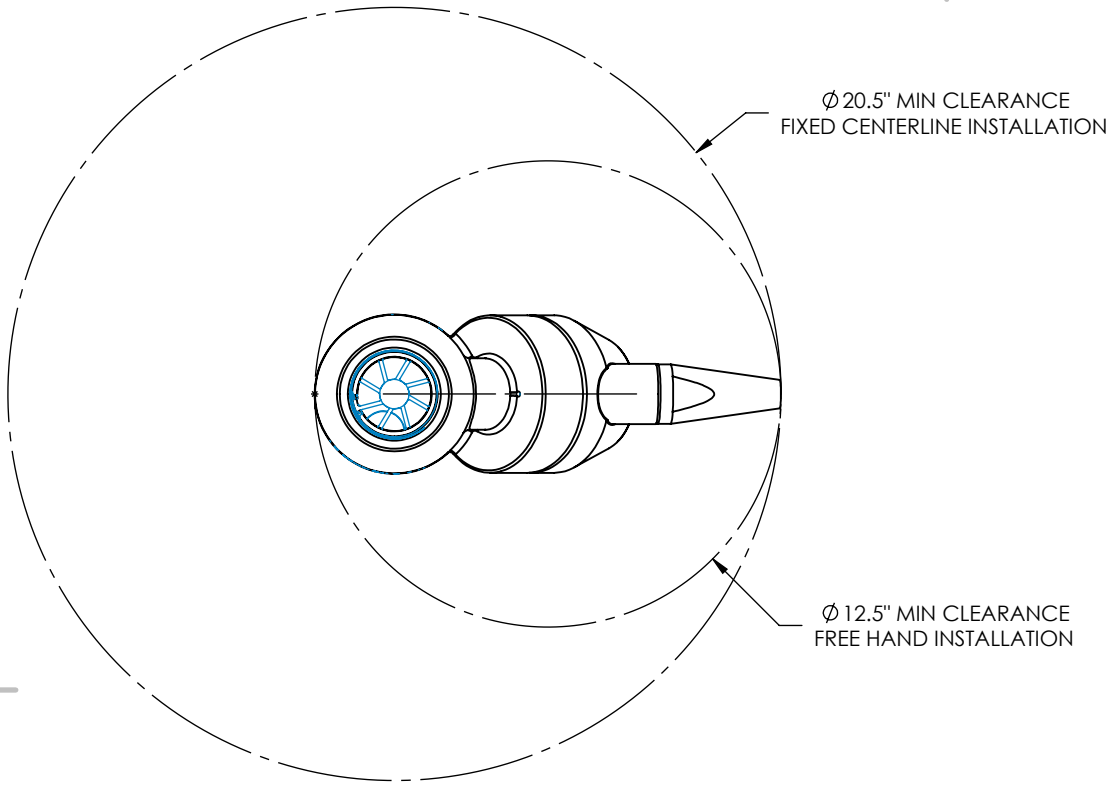
6

A

B

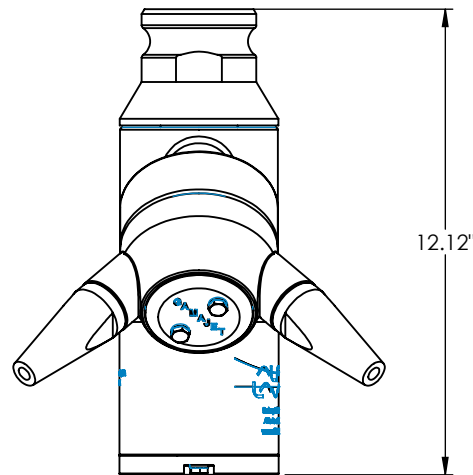
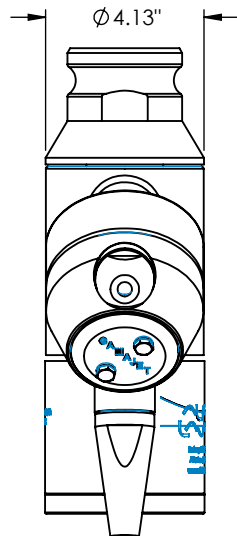
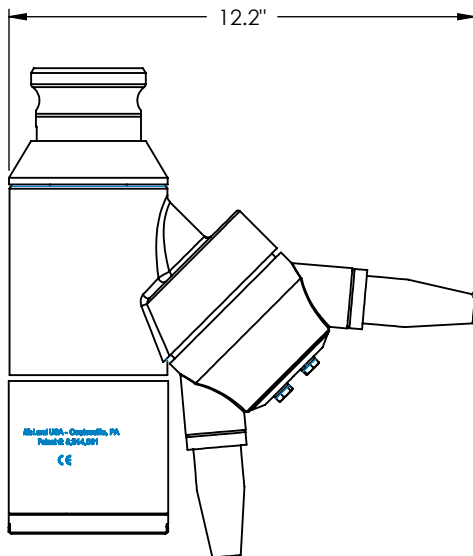
C

D

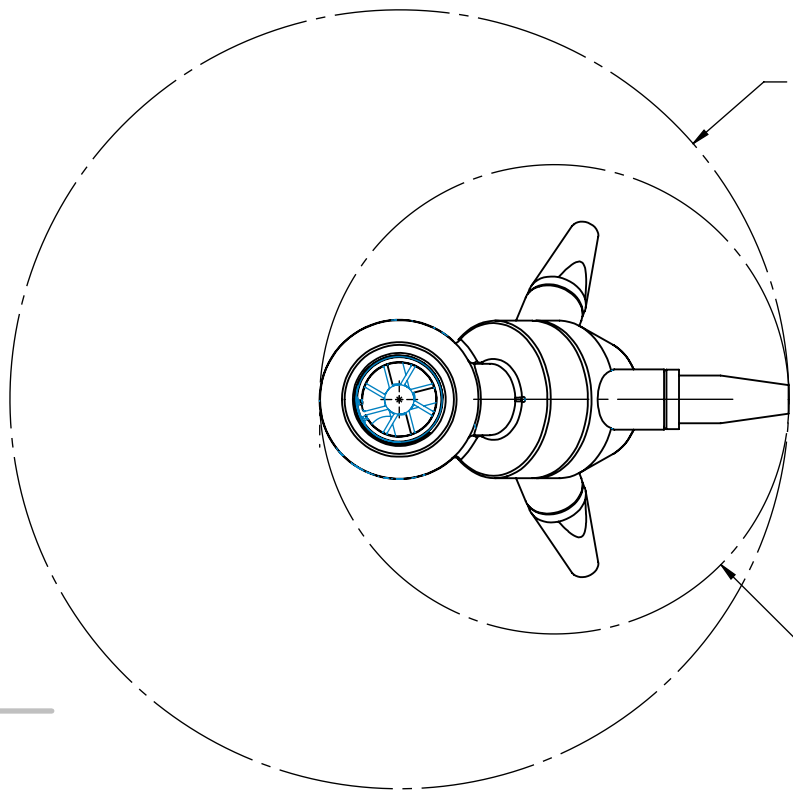


NOTES:

1. MATERIALS: 316 SS MAIN BODY PARTS, 18-8 SS FASTENERS, PLASTICS, ELASTOMERS
2. WEIGHT: 32 LBS
3. INLET: 2" FNPT/2-1/2" CAMLOCK
4. FLOW RANGE: 25-300 GPM
5. PRESSURE RANGE: 40-300 PSI
6. MINIMUM CYCLE TIME: 6 MINUTES

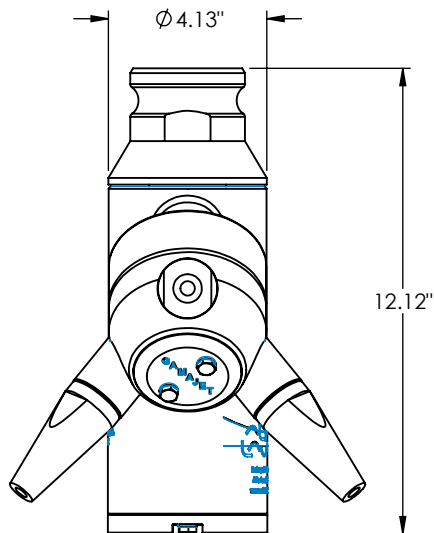
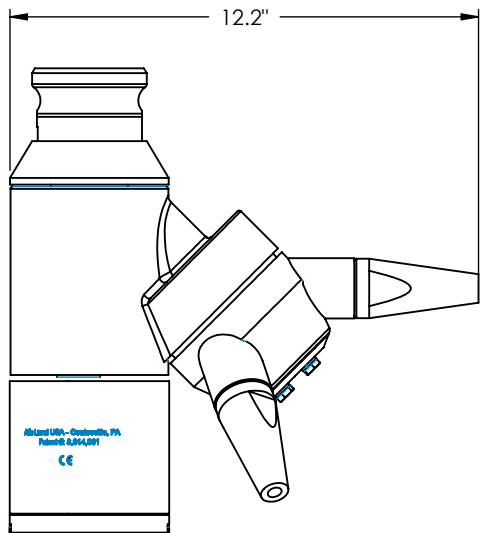
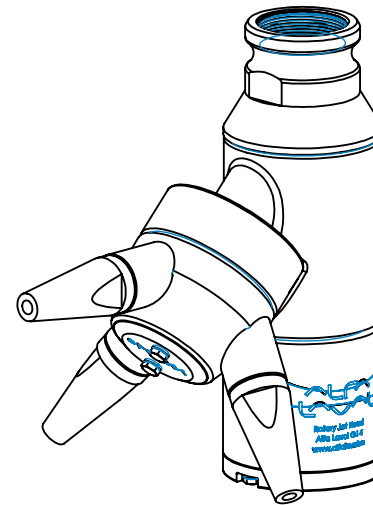


REVISIONS				
REV	ECN/DESCRIPTION	BY	DATE	APR
1	UPDATED CUTSHEET	ACW	6/11/2020	ACW



Ø 20.5" MIN CLEARANCE  
FIXED CENTERLINE INSTALLATION

Ø 12.5" MIN CLEARANCE  
FREE HAND INSTALLATION



NOTES:

1. MATERIALS: 316 SS MAIN BODY PARTS, 18-8 SS FASTENERS, PLASTICS, ELASTOMERS
2. WEIGHT: 33 LBS
3. INLET: 2" FNPT/2-1/2" CAMLOCK
4. FLOW RANGE: 25-300 GPM
5. PRESSURE RANGE: 40-300 PSI
6. MINIMUM CYCLE TIME: 6 MINUTES

A

B

C

D