



Keep an Eye on Your Product

Alfa Laval Union Sight Glass based on DIN 11851

Concept

These screwed sight glasses are used for the visual control of processes inside vessels, storage tanks, mixers, reactors etc. They are used in dairies, breweries and other food industries as well as pharmaceutical and cosmetics industries.

Standard Design

The sight glass consists of a welding flange (see drawing pos. 1), a grooved collar nut (2), a glass disc (3) and two gaskets (4+5). The product wetted side of the gasket (5) is made of EPDM. The welding part (1) and glass disc (3) are delivered with a material certificate EN10204.3.1.B/2.2 as standard.



TECHNICAL DATA

Temperature

Temperature range: 14°F to +284°F (EPDM).

Pressure

Max. product pressure: Max. 87 psi (6 bar).

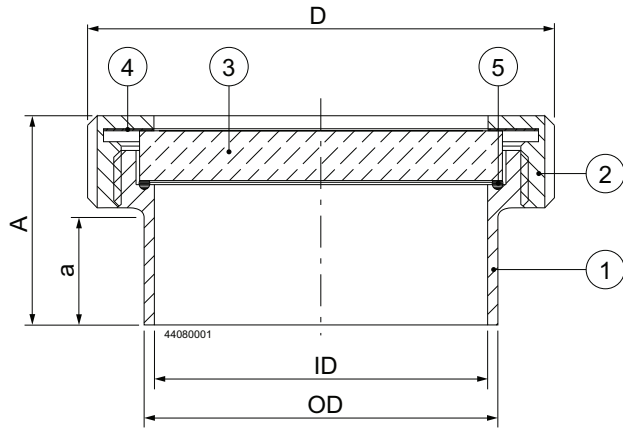
Min. product pressure: 0.019 psi absolute (1 Torr).

PHYSICAL DATA

Materials

Welding flange: AISI 316L, material certificate 3.1B/ADW2 to DIN 50049.
Grooved collar nut: AISI 304
Glass disc: Borosilicate to DIN 7080 (max. 536°F), material certificate 2.2.
Gasket cover side: PTFE
Gasket product wetted side: . . . EPDM.

Dimensions (in)



Size	ID	a	A	OD	D
65	2.56	0.87	1.93	2.83	4.41
100	3.94	1.26	2.56	4.17	5.83
125	4.92	0.79	2.36	5.20	7.01

Options

- A. Product wetted side of gasket in FPM, PTFE or Silicone.
- B. miniVISION light fitting.

Ordering

- DN size.
- Material type of product wetted gasket side.
- miniVISION light fitting, if needed.

Alfa Laval reserves the right to change specifications without prior notification. ALFA LAVAL is a trademark registered and owned by Alfa Laval Corporate AB.

ESE02839ENUS 1507

© Alfa Laval

How to contact Alfa Laval

Contact details for all countries are continually updated on our website. Please visit www.alfalaval.us to access the information direct.