



Keep an Eye on Your Product

Alfa Laval LKGG-1 and LKGL-1 In-Line Sight Glass

Concept

In-line sight glass type LKGG-1 and LKGL-1 is used in pipelines to allow visual observation of product flow.

Standard Design

LKGG-1 consists of a perforated stainless steel shield tube fitted with a welding union at each end. A special glass tube is fixed in the shield tube so that it is unaffected by possible stresses in the pipelines.

LKGL-1 has a stainless steel light fitting unit welded onto the shield tube so that the product flow can be illuminated.



TECHNICAL DATA

Temperature

Recommended max. working temperature: 230°F.
Max. thermal shock: 212°F.
Bulb: 24 V / 24 W.
Bulb socket: B 15.

Pressure

Max. test pressure (68°F): 72.5 psi (5 bar).

Sizes

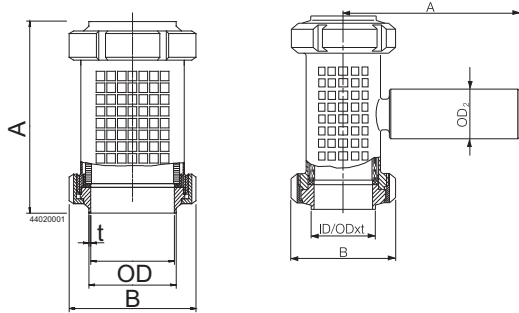
25 mm (1"), 38 mm (1½"), 51 mm (2"), 63.5 mm (2 ½") and 76 mm (3").

PHYSICAL DATA

Materials

Seals: EPDM rubber.
Steel grade: Stainless steel AISI 304 or
acidresistant steel AISI 316.
Glass disc: Borosilicate.

Dimensions (in)



| Size | 1" | 1.5" | 2" | 2.5" | 3" | 4" |
|-------------|------|------|------|------|------|------|
| A | 6.89 | 7.13 | 7.4 | 7.64 | 7.87 | - |
| B | 2.52 | 3.03 | 3.58 | 4.17 | 4.8 | 5.83 |
| OD | 1.03 | 1.53 | 2.03 | 2.53 | 3.02 | 4.02 |
| ID | 0.89 | 1.4 | 1.91 | 2.38 | 2.83 | 3.84 |
| t | 0.07 | 0.07 | 0.06 | 0.07 | 0.09 | 0.09 |
| Weight (lb) | 2.20 | 3.31 | 4.41 | 5.51 | 7.94 | - |

Notel

- LKGL-1: +0.5 kg
- Size 4" only for LKGG-1

Options

Material grades

- A. Seals of Nitrile (NBR).

Ordering

Please state the following when ordering:

- Materials, AISI 304 or 316.
- Type: LKGG-1 or LKGL-1.
- Size.

Alfa Laval reserves the right to change specifications without prior notification. ALFA LAVAL is a trademark registered and owned by Alfa Laval Corporate AB.

ESE02840ENUS 1507

© Alfa Laval

How to contact Alfa Laval

Contact details for all countries are continually updated on our website. Please visit www.alfalaval.us to access the information direct.