



Does not interfere with production

Alfa Laval TJ SaniMidget Retractor, A Retractable Rotary Spray Head



generates a vibrating impact as well as cascading flow coverage of all internal surfaces of the tank.

TECHNICAL DATA

Lubricant: Self-lubricating with the cleaning media
Wetting radius: Max. 11 ft
Impact cleaning radius: Max. effective 5 ft
Air quality:
Clean, filtered: max. 1575µin
Dry, dew point: max. 10°
Installation: Please contact Alfa Laval for installation of the tank cleaning machine

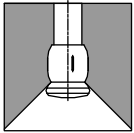
Pressure: Air/spring and Air/Air

Working pressure: 14.5-73 PSI
Recommended pressure: 43.5 PSI
Air supply pressure: 29-73 PSI

Pressure: Media/Spring

Working pressure: 36.3-73 PSI
Recommended pressure: 43.5 PSI

Spray Pattern



270° up

Standard Design

The Toftejorg SaniMidget Retractor is available in three stroke lengths: 3.94 inch, 5.91 inch and 9.84 inch, in either pneumatic- or media-driven versions.

Certificates

2.2 or 3.1 material certificate or ATEX.

PHYSICAL DATA

Materials

Product area: 316L (UNS S31603), PEEK*
Non-product area: 304 (UNS S30400), POM
Sealing: EPDM*

* FDA compliance 21CFR§177

Surface finish:

Product contact surfaces: Ra 32µin
Non product contact parts Ra 64µin

Temperature

Max. working temperature: . . . 203°F
Max. ambient temperature: . . . 304°F

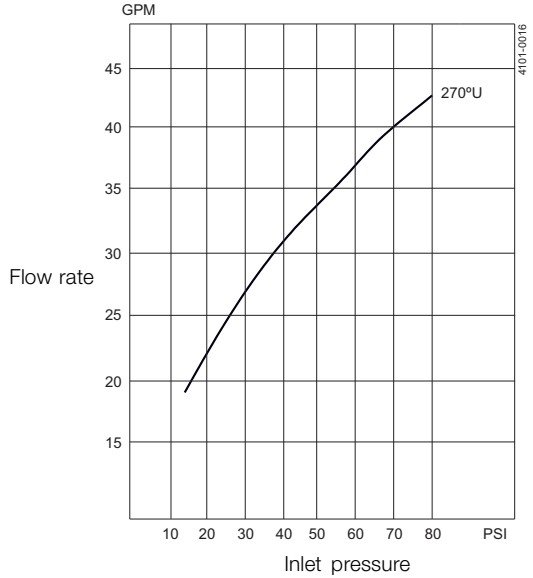
Weight: See reverse page

Options - Materials

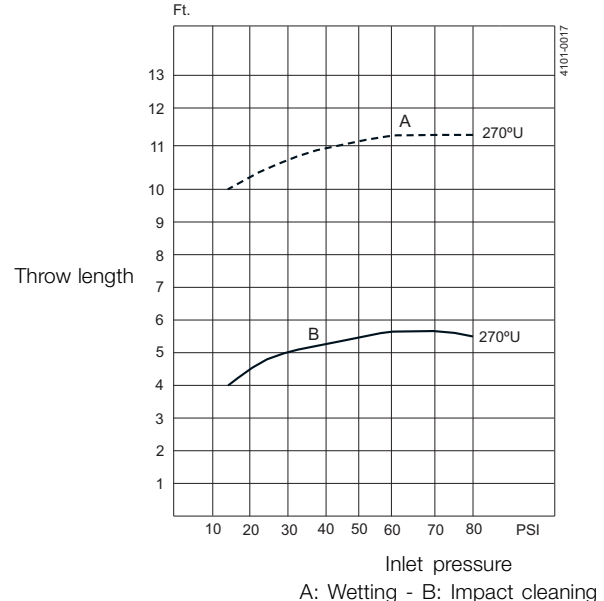
- A. Hastelloy C22 product contact part only!
- B. Alternative sealing component material, FPM*, FFKM*
- C. Positioning sensors, which generate digital signals at the fully retracted or fully extended positions
- D. 3.1. certificate for metallic parts available upon request

* FDA compliance 21CFR§177

Flow Rate

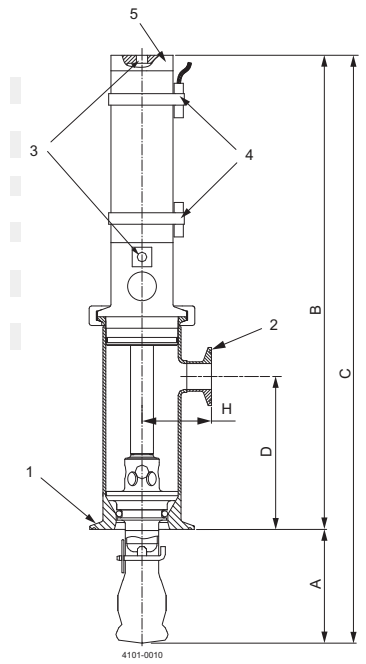


Cleaning Radius



A/S = Air/spring version
 A/A = Air/air version
 M/S = Media/spring version

Dimensions (inch)



M/S & A/S

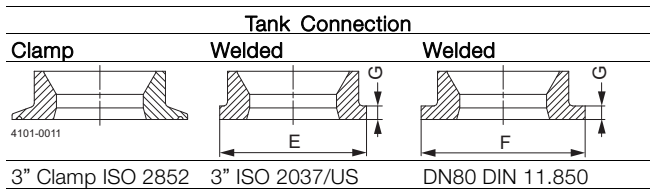
Stroke	A	B	C	D	E	F	G	H	Weight
100	3.9	19.9	23.8	5.2	3	3.35	0.28	2.4	11.0 lbs
150	5.9	25.0	30.9	7.2	3	3.35	0.28	2.4	12.1 lbs
250	9.8	35.2	45.1	11.1	3	3.35	0.28	2.4	14.1 lbs

A/A

Stroke	A	B	C	D	E	F	G	H	Weight
100	3.9	17.1	21.1	5.2	3	3.35	0.28	2.4	12.4 lbs
150	5.9	21.1	27.0	7.2	3	3.35	0.28	2.4	13.9 lbs
250	9.8	28.9	38.8	11.1	3	3.35	0.28	2.4	16.3 lbs

Connections

1. Tank connections
2. Cleaning media
1" Clamp ISO 2852
3. Air supply - pneumatic driven only
ISO 228-G 1/8
4. Option
Magnetic sensor
5. Adjustable valve - media driven only



Alfa Laval reserves the right to change specifications without prior notification. ALFA LAVAL is a trademark registered and owned by Alfa Laval Corporate AB.

ESE00334ENUS 1507

© Alfa Laval

How to contact Alfa Laval
 Contact details for all countries are continually updated on our website. Please visit www.alfalaval.us to access the information direct.