

Alfa Laval DuraCirc®

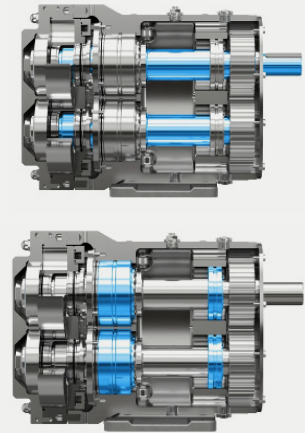
Circumferential Piston Pump



Key Product Features

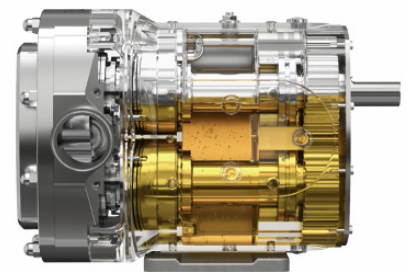
Durable & Robust Pump Gearbox

- Combination of optimally positioned heavy-duty long-life bearings located on strong shafts held securely within a sturdy one-piece stainless steel gearcase, which provides a robust durable design
- Reduced risk of pump-head contact
- Maintains process continuity



Single, Long-Life Lubricant

- A single FDA conforming oil lubricant is used to provide long-lasting gearbox lubrication
- A long service interval of at least 3,000 hours between oil changes allows for extended pump operation, with reduced downtime
- No need to measure lubricant quantity, the correct level can be seen via the sight glass



Easy Access External Shimming

- Pump head front & back clearances are all set via stainless steel shims retained on the back of the rotor case
- Shims are located external to the gearbox
- In the unlikely event of rotor or rotor case replacement, clearances can be re-set via shim adjustment without gearbox disassembly

