



High Pressure at Low Capacity

LKHM-110P and LKH-120/P Multi-Stage Centrifugal Pump

Application

LKHM-110 and -120/P is a highly efficient and economical multi-stage centrifugal pump, which meets the requirements of sanitary and gentle product treatment and chemical resistance. Both the LKHM-110 and LKHM-120P are available in 3 sizes, LKHM-112, -113, -114 and LKHM-122/P, -123/P, -124/P respectively, for 2, 3 and 4 stages.

Standard design

LKHM-110 and LKHM-120/P consist of a motor, stub shaft with key, mechanical compression coupling, adaptor, backplate, impellers, pump casing, intermediate casing (3 or 4 stage), pump cover, impeller screw and shaft seal. The pumps are designed for CIP with emphasis on large internal radii and cleanable seals.

Shaft seals

The pumps can be fitted with two types of mechanical seals:

- Single internal seal.
- Flushed seal.

Both seal types have stationary seal rings of silicon carbide and rotating seal rings of carbon or silicon carbide. The secondary seal of the flushed seal is a long lasting lip seal.

The secondary seal of the flushed seal is a long lasting lip seal.



TECHNICAL DATA

Materials

Product wetted steel parts . . . Acid-resistant steel, AISI 316L and AISI 329L
 Other steel parts: Stainless steel, AISI 304
 Product wetted seals: EPDM.
 Other O-rings: EPDM.
 Finish: Polished $\leq 32Ra$ and 3A approved.

Connctions for FSS:

6mm tube/Rp 1/8"

Motor

Standard C-Face, foot mounted motor according to NEMA standard at 3500. Premium efficiency, insulation Class F. High Thrust Bearings Required.

Hp

Horsepower requirements based on flow curves.

Voltage and frequency

3 phase, 60 Hz, 230-460v standard. Other voltages and frequencies available upon request.

OPERATING DATA

Technical data

Max. outlet pressure, LKHM-110/P, LKHM-120/P:

- Limited by the strength of the pump casing: 580 PSI (40 bar) temperature $< 104^\circ F$.
- Limited by the strength of the pump casing: 290 PSI (20 bar) temperature $> 104^\circ F$.

Temperature range: $14^\circ F$ to $+284^\circ F$ (EPDM).

Water pressure: Normally atmospheric, max. 15 PSI (flushed seal).

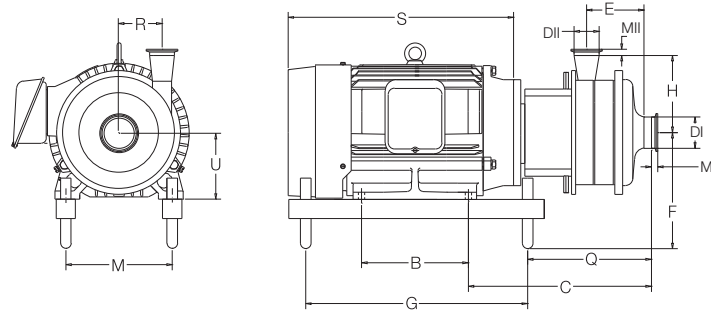
Water consumption: 0.066 -0.13 US GPM (flushed seal)

Noise level (at 3.3 ft: 60-80 dB (A).

Versions

	LKHM-110/P	LKHM-120/P
Inlet pressure	>145 PSI	-
Motor	Special	Special
Back Plate	Reinforced	Standard
Shaft seal	SIC/SIC	SIC/SIC

Dimensions (in)



LKHM-112

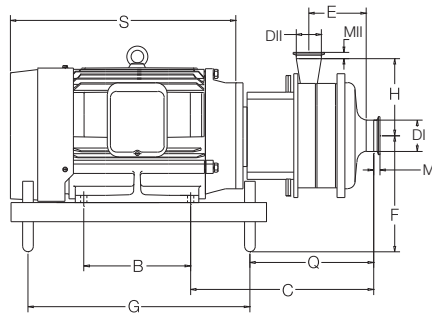
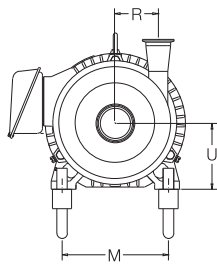
Size	Motor			
	5 Hp	7.5 Hp	10 Hp	15 Hp
B	4.50	5.50	7.00	8.25
C	6.50	7.13	7.40	7.32
E	2.99	2.99	2.99	2.99
F	8.35	8.35	9.13	9.13
G	10.30	14.20	14.20	19.00
H	5.51	5.51	5.51	5.51
M	7.50	8.50	8.50	10.00
Q	8.86	10.87	11.14	12.64
R	3.39	3.39	3.39	3.39
S	12.00	14.60	16.10	18.70
U	5.83	5.83	6.61	6.61
Weight (lbs)	146.00	197.00	222.00	315.00

LKHM-113

Size	Motor		
	10 Hp	15 Hp	20 Hp
B	7.00	8.25	10.00
C	9.06	8.98	8.98
E	4.65	4.65	4.65
F	9.13	9.13	10.08
G	14.20	19.00	19.00
H	5.51	5.51	5.51
M	8.50	10.00	10.00
Q	12.80	14.29	14.29
R	3.39	3.39	3.39
S	16.10	18.70	19.40
U	6.61	6.61	7.56
Weight (lbs)	238.00	331.00	381.00

LKHM-114

Size	Motor			
	15 Hp	20 Hp	25 Hp	30 Hp
B	8.25	10.00	9.50	11.00
C	10.59	10.59	11.77	11.77
E	6.26	6.26	6.26	6.26
F	9.13	10.08	10.83	10.83
G	19.00	19.00	20.00	20.00
H	5.51	5.51	5.51	5.51
M	10.00	10.00	11.00	11.00
Q	12.64	12.64	14.49	14.49
R	3.39	3.39	3.39	3.39
S	18.70	19.40	23.90	23.90
U	6.61	7.56	8.35	8.35
Weight (lbs)	347.00	397.00	478.00	509.00



LKHM-122/P

(in)	Sterling-motor	
	hp	
	40/50/60	
A	9.69	
B	12.01	
C	16.18	
E	3.27	
F min.	10.24	
F max.	15.16	
G	21.02	
H	10.43	
K	26.5	
M	12.52	
P min.	26.02	
P max.	30.94	
Q	10.16	
R	4.45	
S	27.56	
T	7.87	
U	8.66	
Z min.	23.03	
Z max.	27.95	
Weight (lbs)	816/816/860	

LKHM-124/P

	Sterling-motor	
	hp	
	40/50/60	75/100
A	9.69	15.31
B	12.01	12.2/13.7
C	14.65	16.69
E	7.76	7.76
F min.	10.24	15.79
F max.	15.16	18.19
G	21.02	25.2
H	10.43	10.43
J	12.52	15.98
K	26.5	29.65
P min.	26.02	31.93
P max.	30.94	34.33
Q	20.67	24.33
R	4.45	4.45
S	27.56	33/35
T	7.87	9.8
U	8.66	
Z min.	23.03	29.4/30.6
Z max.	27.95	31.8/33
Weight (lbs)	891/891/935	1274/1307

LKHM-123/P

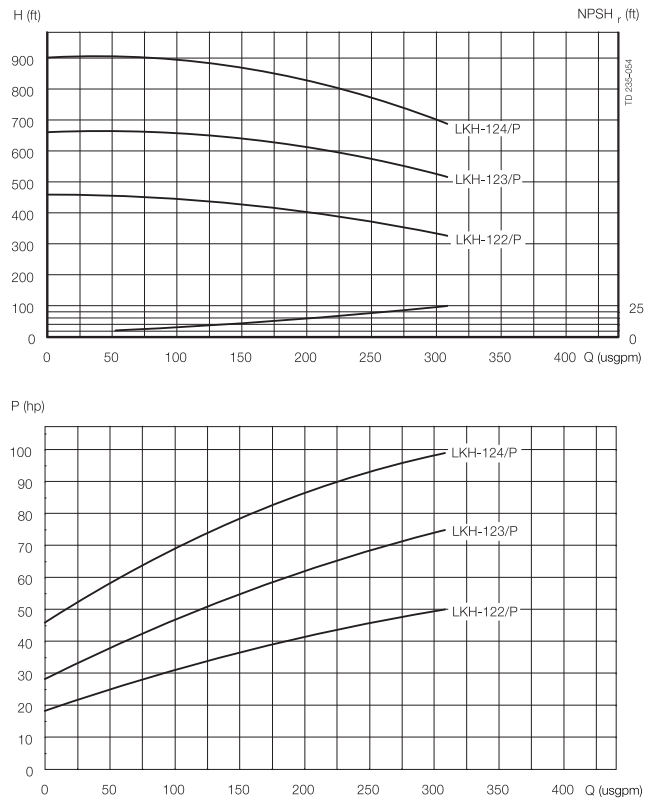
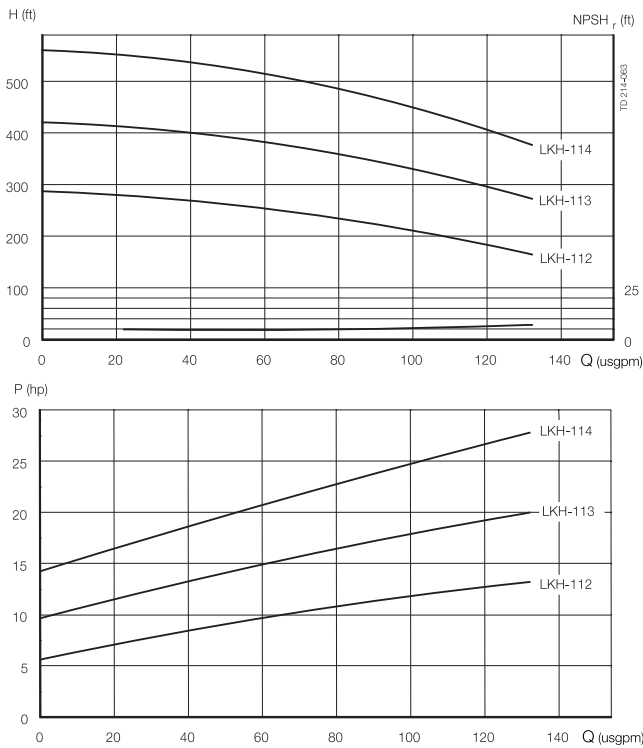
(in)	Sterling-motor	
	hp	
	40/50/60	75/100
A	9.69	15.31
B	12.01	12.2/13.7
C	18.46	16.69
E	5.55	7.76
F min.	10.24	15.79
F max.	15.16	18.19
G	21.02	25.2
H	10.43	10.43
K	26.5	15.98
M	12.52	29.65
P min.	26.02	31.93
P max.	30.94	34.33
Q	12.44	24.33
R	4.45	4.45
S	27.56	33/35
T	7.87	9.8
U	8.66	
Z min.	23.03	29.4/30.6
Z max.	27.95	31.8/33
Weight (lbs)	853/853/897	1274/1307

Connections (in)

LKHM-112, LKHM-113, LKHM-114

DI 2" DII 1½"	Tri-Clamp
M I	0.827
M II	0.827

Volumetric Flow



Options

- A. Special motor for inlet pressure higher than 145 PSI (only LKH-110).
- B. Motor for other voltage and/or frequency
- C. Flushed shaft seal.
- D. Impeller with reduced diameter.
- E. Counter flanges, seal rings and bolts for flanged connections (industrial version).
- F. Product wetted seals of Buna (NBR), or Fluorinated rubber (FPM).
- G. Rotating seal ring of Silicon Carbide.
- H. Surface roughness, product wetted parts: unpolished, 32Ra, micro inches (0.8 mm), or higher finishes

Notel

For further details, see also instruction manual.

Ordering

Please state the following when ordering:

- Pump size.
- Version, sanitary or industrial.
- Connections.
- Impeller diameter.
- Motor size.
- Voltage and frequency.
- Flow, pressure and temperature.
- Density and viscosity of the product.
- Options.

Alfa Laval reserves the right to change specifications without prior notification. ALFA LAVAL is a trademark registered and owned by Alfa Laval Corporate AB.

ESE00266ENUS 1505

© Alfa Laval

How to contact Alfa Laval

Contact details for all countries are continually updated on our website. Please visit www.alfalaval.us to access the information direct.