



Better all-round economy, easier operation and flexibility for future needs

AlfaVap evaporation systems for Caustic Soda



Available for installation by customer or as complete, turnkey solution.

Reduce costs with superior steam economy

Reducing the amount of energy required to concentrate a product is an excellent way to cut operating costs. Alfa Laval's AlfaVap offers significantly higher thermal efficiency than traditional evaporators, making it possible to reduce delta T and thereby provide considerable steam savings. Additional savings are realized by optimizing preheating as well as fully utilizing heat from the product and steam condensate.

Tailored to meet specific capacity needs

AlfaVap evaporation systems for NaOH concentration can be designed for any capacity ranging from 30 to 1500 tons of dry NaOH per day.

Long lifetime for additional savings

All evaporator effects in the AlfaVap System are in pure nickel and high alloys, including the low-temperature effect.

Temperatures are also lower compared to traditional shell-and-tube systems. This reduces wear and tear thereby lengthening the installation's lifetime for better economy.

A special feature of AlfaVap plate evaporators, these cassettes are made up of two plates laser welded together to form a welded steam channel.

Profile and hole configuration are tailor made for evaporation applications.

Naturally, AlfaVap plates are available AISI 316 and most other alloys, including nickel and 904L.



Simplify installation, operation and expansion

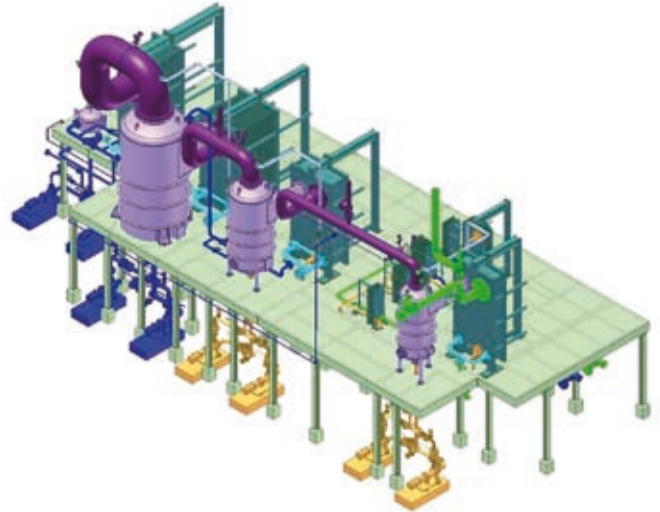
The extremely compact design of AlfaVap plate evaporators provides very convenient installation, operation and maintenance. Also, capacity can be increased simply by adding more cassettes – a major benefit compared with traditional shell-and-tube evaporators.

Stay up and running

Every AlfaVap system is backed by Alfa Laval's professional service, helping to keep plants up and running. Trained service technicians are always on stand-by, ready and available when needed.

Turnkey delivery or do-it-yourself

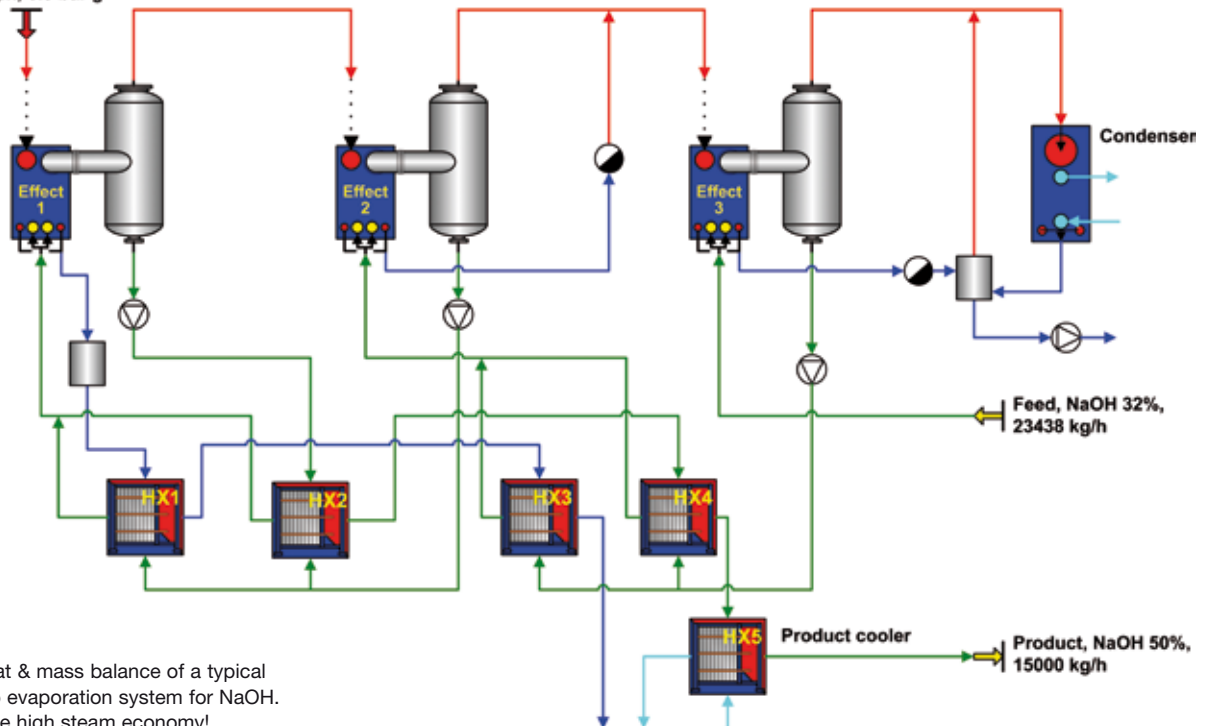
Alfa Laval delivers complete, turnkey systems including instruments, piping and control panel. For customers who prefer assembling systems themselves, we can deliver just the key system components together with an engineering package.



Typical AlfaVap evaporation installation for NaOH, 180 ton per day dry NaOH in 3 effects.

Concentration of NaOH, 32 to 50%,
180 ton per day (NaOH 100%)

Steam consumption:
3600 kg/h, 6.5 bar g



The heat & mass balance of a typical AlfaVap evaporation system for NaOH. Note the high steam economy!

How to contact Alfa Laval

Up-to-date Alfa Laval contact details for all countries are always available on our website at www.alfalaval.com