



Alfa Laval GLH80

Gas to liquid plate heat exchanger

GLH80 is a high-efficiency compact brazed stainless steel heat exchanger designed to handle asymmetrical flows with exceptionally high performance.

GLH80's patented plate design enables it to handle high gas temperatures as well as in all types of condensation applications.

GLH80 can handle the high pressures such as in compressors and intercoolers. The product's compact size, versatility and excellent heat transfer makes it a perfect choice for a wide range of asymmetrical heat transfer applications. GLH80 in single configuration is suitable for max. 25 Nm³/min gas (high pressure).

GLH80 is certified as pressure vessel also on the gas side B.

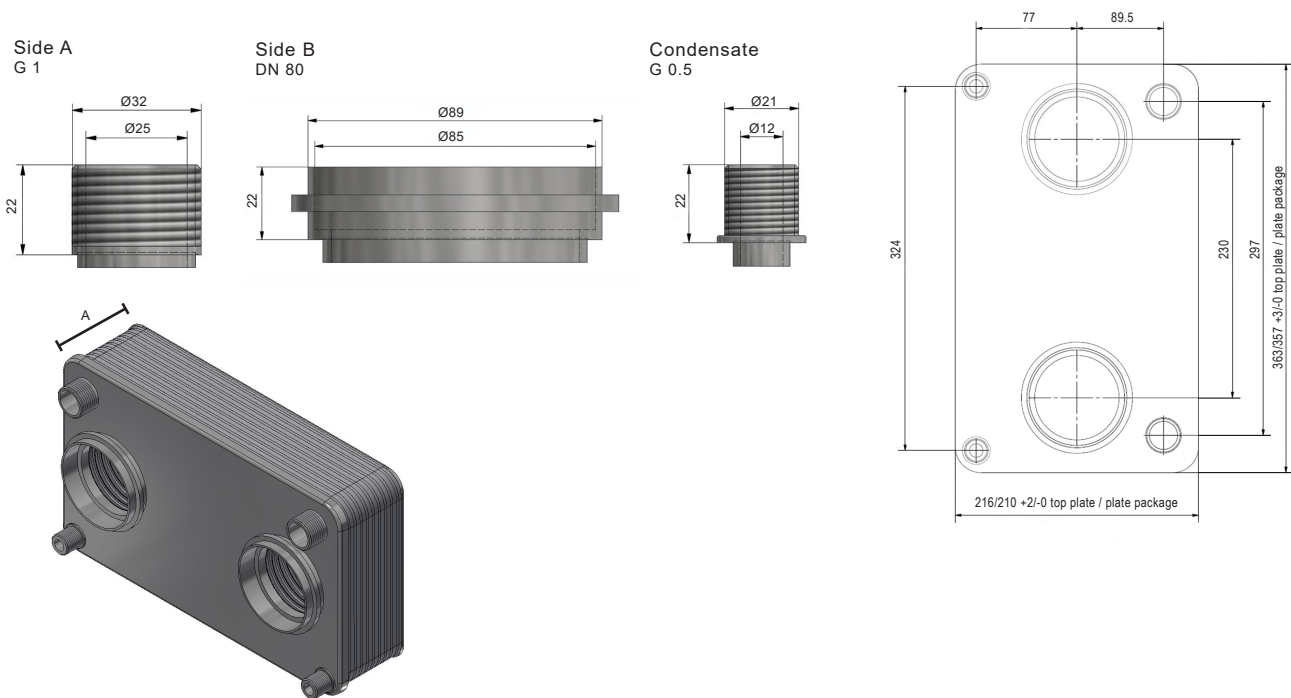


Technical Data

Side (A) "High density":	Water / Liquid / High pressure gas
Side (B) "Low density":	Gas / Steam
Plate material:	ASTM 316L / DIN 1.4404 / SS2348
Connections / Cover plates:	ASTM 304 / DIN 1.4301 / SS2333
Brazing material:	Copper (Cu)
Operating temperature	Side A: -160°C to +190°C
	Side B: XXX°C (limited by max plate temperature of 190°C)
Operating absolute pressure at -160/25/190°C:	Side A: 0/26/20 bar(a); 0/377/290 psi(a)
	Side B: 0/18/13.6 bar(a); 0/261/197 psi(a)
Primary heat transfer surface/plate:	≈ 9 dm ²
Manufacturing standard:	EN13445-3
PED Side A:	In conformance with 2014/68/EU
	Fluid Group: 1 & 2

Standard Connections and Versions for GLH80

For configuration options see the product description Configuration options for Alfa Laval GL.



Item No.	Item name	Number of plates	Connection	Height (mm)		Weight empty ≈kg	Volume (l)	
				A	Tolerances		Side A	Side B
ALEA512551	GLH80-10AM-F	10	DN80-G1	48.5	±2.0	6.3	1.3	1.8
ALEA512552	GLH80-20AM-F	20	DN80-G1	88.0	±2.5	8.8	2.6	3.6
ALEA512553	GLH80-30AM-F	30	DN80-G1	127.5	±2.5	11.3	3.9	5.4
ALEA512554	GLH80-40AM-F	40	DN80-G1	167.0	±3.0	13.8	5.2	7.2
ALEA512555	GLH80-60AM-F	60	DN80-G1	246.0	±3.5	18.8	7.8	10.8
ALEA512556	GLH80-80AM-F	80	DN80-G1	325.0	±4.0	23.8	10.4	14.4

This document and its contents are subject to copyrights and other intellectual property rights owned by Alfa Laval Corporate AB. No part of this document may be copied, re-produced or transmitted in any form or by any means, or for any purpose, without Alfa Laval Corporate AB's prior express written permission. Information and services provided in this document are made as a benefit and service to the user, and no representations or warranties are made about the accuracy or suitability of this information and these services for any purpose. All rights are reserved.

100001239-1-EN

© Alfa Laval Corporate AB

How to contact Alfa Laval

Up-to-date Alfa Laval contact details for all countries are always available on our website at www.alfalaval.com