



Alfa Laval GLH150

Gas to liquid plate heat exchanger

GLH150 is a high-efficiency compact brazed stainless steel heat exchanger designed to handle asymmetrical flows with exceptionally high performance.

GLH150's patented plate design enables it to handle high gas temperatures, as well as in all types of condensation applications.

GLH150 can handle the high pressures such as in compressors and intercoolers. The product's compact size, versatility and excellent heat transfer makes it a perfect choice for a wide range of asymmetrical heat transfer applications. GLH150 in single configuration is suitable for max. 8000 kg/h gas.

GLH150 is certified as pressure vessel on the gas side B.



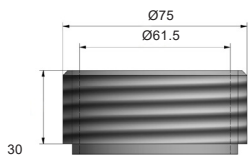
Technical Data

Side (A) "High density":	Water / Liquid / High pressure gas
Side (B) "Low density":	Gas / Steam
Plate material:	ASTM 316L / DIN 1.4404 / SS2348
Connections / Cover plates:	ASTM 304 / DIN 1.4301 / SS2333
Brazing material:	Copper (Cu)
Operating temperature:	Side A: -160°C to +190°C
	Side B: XXX°C (limited by max plate temperature of 190°C)
Operating absolute pressure at -160/25/190°C:	Side A: 0/21/15.8 bar(a); 0/304/229 psi(a)
	Side B: 0/8/6.2 bar(a); 0/116/90 psi(a)
Primary heat transfer surface/plate:	≈ 19 dm ²
Manufacturing standard:	EN13445-3
PED Side A:	In conformance with 2014/68/EU
	Fluid Group: 1 & 2

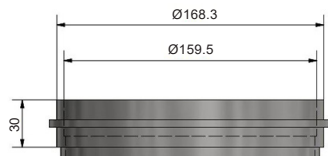
Standard Connections and Versions for GLH150

For configuration options see the product description Configuration options for Alfa Laval GL.

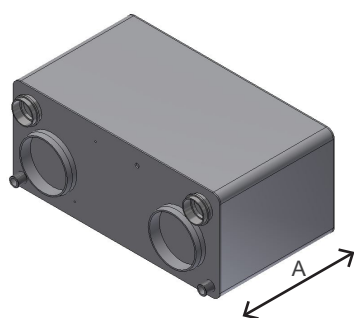
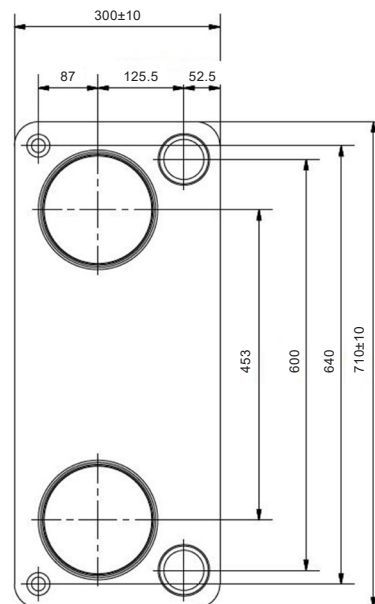
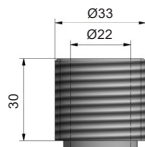
Side A
G 2.5



Side B
DN 150



Condensate
G 1



Item No.	Item name	Number of plates	Connection	Height (mm)		Weight empty ≈kg	Volume (l)	
				A	Tolerances		Side A	Side B
ALEA511551	GLH150-20AM-F	20	DN150-G2.5	90	±6.0	28	5.5	11.0
ALEA511552	GLH150-40AM-F	40	DN150-G2.5	172	±7.5	41	11.0	22.0
ALEA511553	GLH150-70AM-F	70	DN150-G2.5	296	±9.0	61	19.3	38.5
ALEA511554	GLH150-100AM-F	100	DN150-G2.5	419	±10.5	80	27.5	55.0
ALEA511555	GLH150-140AM-F	140	DN150-G2.5	583	±12.0	106	38.5	77.0

This document and its contents are subject to copyrights and other intellectual property rights owned by Alfa Laval Corporate AB. No part of this document may be copied, re-produced or transmitted in any form or by any means, or for any purpose, without Alfa Laval Corporate AB's prior express written permission. Information and services provided in this document are made as a benefit and service to the user, and no representations or warranties are made about the accuracy or suitability of this information and these services for any purpose. All rights are reserved.

100001243-1-EN

© Alfa Laval Corporate AB

How to contact Alfa Laval

Up-to-date Alfa Laval contact details for all countries are always available on our website at www.alfalaval.com